

OPERATION MANUAL

YAMADA AIR-OPERATED DIAPHRAGM PUMPS

NDP-20 series
NDP-25 series
NDP-32 series
NDP-40 series
NDP-50 series
NDP-80 series

Simplified Declaration of Conformity

YAMADA CORPORATION declares under our sole responsibility that the products described below are in conformity with the following standards and/or directives.

EU Declaration of Conformity:



Product : AIR OPERATED DIAPHRAGM PUMP series and PULSATION DAMPENER series

Model : NDP, DP, G, and AD series; excluding NPT thread type

Directive 2006/42/EC

Directive 2014/30/EU (NDP-E and DP-E series)

EN ISO 12100:2010

EN 809:1998 + A1:2009

Manufacturer

Name of company : YAMADA CORPORATION

Address : 1-1-3, Minami-Magome, Ota ku, Tokyo, 143-8504 Japan

Importer / Authorized Representative in EU

Name of company : YAMADA EUROPE B.V.

Address : Aquamarijnstraat 50, 7554NS Hengelo(Ov), the Netherlands

Original declaration is available at the following Internet address:

<https://www.yamada-europe.com/downloads>

•Introduction

Thank you for purchasing a Yamada Diaphragm Pump. This product is a positive-displacement pump that transfers fluids by movement of diaphragms driven by compressed air through a unique switching mechanism. The casing that comes in contact with the fluid is made of aluminum, stainless steel, forged iron, polypropylene, polyvinylidene fluoride depending on the model you have selected according to the type of fluid to be pumped. The diaphragms are made of rubber-based or plastic-based materials.


•For safe operation


This document contains information vital for safe and efficient operation of this product. Before using the pump, be sure to read this document carefully, particularly the "warnings and cautions", and be fully familiar with the operating procedures. Be sure to keep this document handy for future reference.

Warnings and cautions

For safe use of this product, be sure to NOTE the following: In this document, warnings and cautions are indicated by symbols. These symbols are for those who will operate this product and for those who will be nearby, for safe operation and for prevention of personal injury and property damage.

The following warning and caution symbols have the meanings described below. Be sure to remember their meanings.

 **WARNING:** If you ignore the warning described and operate the product in an improper manner, there is danger of serious bodily injury or death.

 **CAUTION:** If you ignore the caution described and operate the product in an improper manner, there is danger of personal injury or property damage.

Furthermore, to indicate the type of danger and damage, the following symbols are also used along with those mentioned above:



This symbol indicates a DON'T, and will be accompanied by an explanation on something you must not do.



This symbol indicates a DO, and will be accompanied by instructions on something you must do in a certain situation.

Operating caution

Before using this product

WARNING



- When using compressed gas (hereinafter called "compressed air") to drive this pump, be sure it is one of the following:

- * Compressed air supplied from an air compressor

- * Nitrogen (N₂) gas

Use of compressed air other than the above may cause air pollution, damage to the pump, or even an explosion.



- Pressure Ratings are dependent on pump material and liquid temperature variations. Please see "Temperature Pressure Curve" in the "10.1 Main specification" and check for the allowable working pressure at the specific temperature of the liquid being pumped. Air pressure and discharge pressure must not exceed the allowable working pressure. If air pressure and discharge pressure exceed the allowable working pressure, it may cause liquid leaks, damaged pump casings or diaphragms and could cause a fatal accident.



- When moving this product, make sure that the internal pressure is released. If the pump is moved while under pressure, any shock imparted by droppage, etc. may damage the pump or even cause an explosion.



- Hazardous fluids (with strong acid or alkali, flammable or toxic) or gas bubbles generated by such fluids may cause serious injury or even death if accidentally inhaled or consumed or if they come into contact with the eyes or adhere to skin. Therefore, the following precautions are strongly advised.

- *Be fully familiar with the properties of the fluid to be pumped and work in strict accordance with the operating instructions provided by the suppliers of such fluids (such as wearing goggles, gloves, mask or work clothes).

- *When storing a hazardous fluid, strictly comply with the regulatory procedures (such as using proper containers, storage conditions, etc.).

- *Always install the piping and exhaust port of this pump away from human and animal traffic.



- When a diaphragm is damaged, fluid will gush out together with air through the exhaust port. Also when pump has positive suction head, liquid will be forced out from exhaust port due to positive inlet pressure. Make sure to provide protective measures in consideration of possible leakage of fluid (see NOTE: Arranging outside exhaust on P.16). For example using a hose and pit etc., also be sure you are using a model with appropriate corrosion resistance for the fluid to be pumped.

WARNING



- When installing this product, be sure to connect a ground wire from the specified position of this product. When this product is installed and operated without the ground wire properly connected, friction between parts, as well as abrasion caused by the flow of some fluids inside the casing, may generate static electricity. Also, depending on the type of fluid being pumped and the installation environment (such as gases in the air and type of surrounding fixtures), static electricity could become a cause of fire or electric shock.



- Improper grounding, poor ventilation, or unshielded fire or spark can create a danger of fire or explosion. Therefore, the following precautions are strongly advised.
 - *All peripheral equipment and piping connected to this product should be properly grounded.
 - *To pump flammable liquids, use a model with an aluminum or stainless-steel casing.
 - *Whenever you notice any spark while operating this product, immediately stop its operation, and do NOT start using it again unless you are sure of the cause and corrective actions have been taken.
 - *Depending upon the type of fluid being pumped, bubbles of flammable gas may be generated. Make sure that ventilation is satisfactory.
 - *This product itself, its piping and exhaust ports should be kept away from unshielded fire, spark and other causes of ignition. If a diaphragm is damaged, fluid will gush out together with air from the exhaust port.
 - *Do NOT leave gasoline or solvent etc. that contains waste at the work site.
 - *Machinery and other equipment near the place of installation of this product should be properly insulated to prevent conduction with each other.
 - *Do NOT operate heating devices that create flames or have heating filaments anywhere near the pump or its piping.
 - *If there are flammable gases in the air while the pump is operating, do NOT switch electric appliance on and off.
 - *Do NOT operate a gasoline engine at the work site.
 - *Restrict smoking at the work site.



- After you shut down the pump and disconnect the piping, some fluid may remain inside the pump. Also, if the pump is left unused for a prolonged period, some fluid may remain inside the pump and connected piping. Therefore, be sure to purge the system of fluid and clean the pump before prolonged disuse. If the product is left unused for a prolonged period with fluid remaining in the connected piping as well as the pump itself, the fluid may expand, depending on the ambient temperature (because of freezing or heat), which may cause damage to the pump and/or piping and possible leakage of fluid.



- Always use genuine Yamada parts when replacing component parts of this product. Do NOT attempt to modify the components parts or replace them with other than genuine Yamada parts.



- Torque of all tightening parts must be inspected before operation. Designated torque are mentioned in maintenance manual.

⚠ WARNING



- When pumping a hazardous fluid (hot, flammable, strong acid, etc.) with this product, provide protective measures (install a pit, a protection box, sensors, etc.) in consideration of possible leakage of fluid, and post warning signs at necessary places.

Make the warning symbols in “12.Warning symbols”, and attach them to the casing and piping, etc.

Leakage of fluid may cause fire, air pollution or a serious accident. When pumping a hot fluid, the casing and piping will become hot, which may burn the skin when touched.

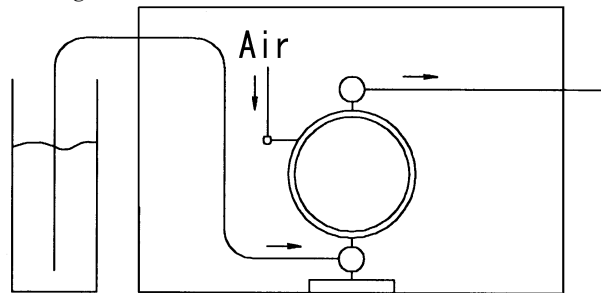


Fig.0.1



- Before using this product, be sure you are familiar with the precautions regarding the fluid to be pumped, and verify the corrosion resistance of the parts that will come into contact with the fluid. NEVER use the product with any fluid against which it does not have sufficient corrosion resistance or with a fluid that poses a risk of explosion. If you are unsure of the corrosion resistance, contact your dealer or our regional office. If you use this product with any fluid against which the parts that will come in contact with the fluid do not have sufficient corrosion resistance, it may result in damaging the product or leakage of fluid.



- When working in the vicinity of pumping of fluid with this product, be sure to wear protective gear (goggles, mask, etc.).



- When using this product, observe the relevant regulatory rules concerning fire prevention, labor safety standards, etc.



- If you have any questions on the operation of this product (method of connection or installation), contact your dealer or our regional office.

⚠ CAUTION



- When operating this product, it may generate loud operating noise, depending upon the condition of use (fluid pumped, supply air pressure and discharge pressure). If regulatory rules apply, provide appropriate acoustic measures where necessary. (For the noise value of this product, see “10.1 Main specifications”.)



- To drive this product, use supply air with minimum moisture content.



- If a diaphragm of this product is damaged, supply air may mix with the fluid or the fluid may flow into the main body (air-switching portion). If air supply is inadequate or contaminated, do NOT operate the pump.



- While operating this product, do NOT cover the intake port by hand.



- If the pump remains unused for a long period of time, or you have misgivings about running the pump, please consult with the dealer where you purchased it or our Sales office.

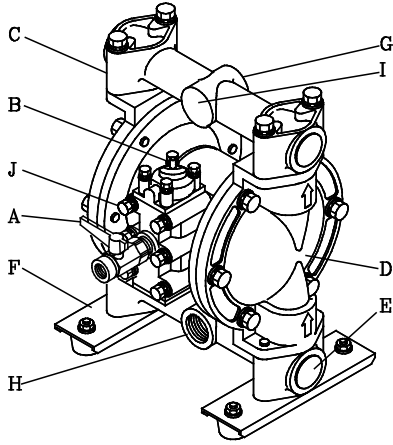
Table of contents

·Introduction	1
·For safe operation	1
·Warnings and cautions	2
·Operating caution	2
·Table of contents	5
1. Names of parts and materials	
1.1 NDP-20, 25, 32 series	6
1.2 NDP-40 series	8
1.3 NDP-50 series	10
1.4 NDP-80 series	12
2. Assembly	
2.1 Installation of accessories	14
3. Installation	
3.1 Method of transport	15
3.2 Installing the pump	15
3.3 Connecting the ground wire	17
4. Connection	
4.1 Connecting fluid piping	18
4.2 Connecting air piping	19
5. Operation	
5.1 Method of operation	20
5.2 Flow adjustment	20
5.3 Shutdown	21
5.4 Releasing the pressure	21
6. Method of cleaning	22
7. Daily check	23
8. Troubleshooting	
8.1 Pump does not run	23
8.2 Pump runs, but fluid does not come out	23
8.3 Flow (discharge volume) decreased	23
8.4 Liquid leaks from exhaust port (silencer)	24
8.5 High air consumption during in operation	24
8.6 Irregular noise	24
8.7 Irregular vibration	24
9. Returning the product for servicing	
9.1 Before returning the product	24
10. Main body specifications	
10.1 Main specifications	25
10.2 Appearance and dimensions	30
10.3 Performance curve	43
11. Limited warranty	50
12. Warning symbols	51

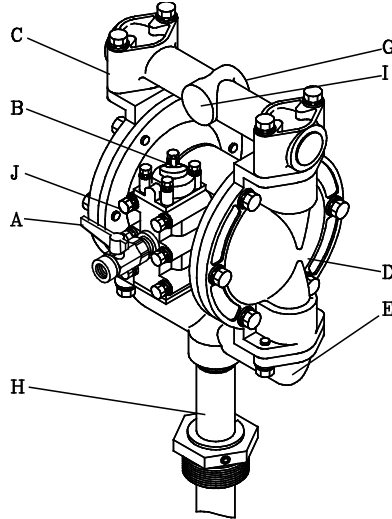
1. Names of parts and materials

1.1 NDP-20, 25, 32 series

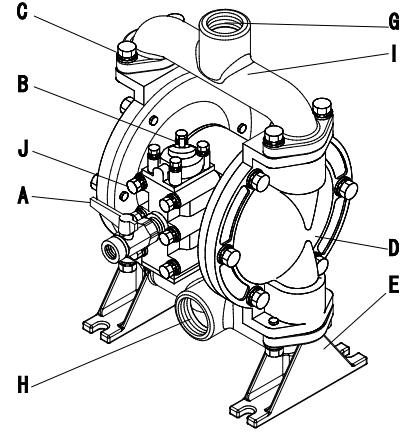
- A: Air Valve
- B: Reset Button
- C: Out Manifold
- D: Out Chamber
- E: In Manifold
- F: Pump Base
- G: Discharge Port
- H: Intake Port
- I: Lift Point
- J: Ground Connection Point



NDP-20BA□, NDP-20BS□
 NDP-25BA□, NDP-25BS□
 NDP-25BF□



NDP-20BA□-D



NDP-32BAN
 NDP-32BAT

• Aluminum type([]: Drum type, {}: NDP-32)

Type	BAC [BAC-D]	BAN [BAN-D]	BAE	BAV	BAT [BAT-D]	BAH [BAH-D]	BAS	BAH/T
Switching Portion	ADC12							
Fluid contact Portion	ADC12 [ADC12, AC2A, SGP] {ADC12, AC4C-T6}							
Diaphragm	CR	NBR	EPDM	FKM	PTFE	TPEE	TPO	TPEE
Ball/O Ring	CR/NBR	NBR	EPDM	FKM	PTFE	TPEE/NBR	TPO/EPDM	PTFE/NBR
Valve Seat	SMS1025							
Center Disk	SUS316				A5056		SUS316	

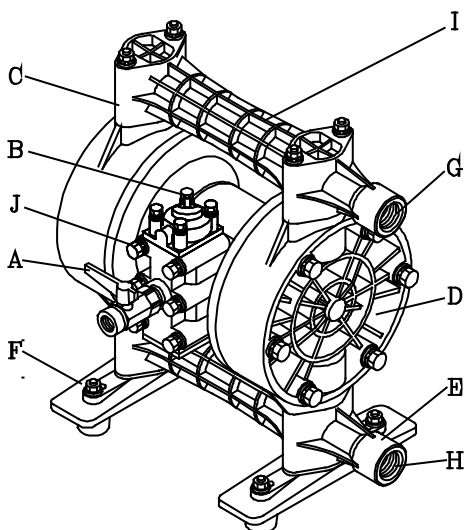
• Stainless-steel type([]: Forged iron type)

Type	BSC [BFC]	BSN [BFN]	BSE [BFE]	BSV [BFV]	BST [BFT]	BSH [BFH]	BSS [BFS]	BSH/T [BFH/T]
Switching Portion	ADC12							
Fluid contact Portion	SCS14 [S45C]							
Diaphragm	CR	NBR	EPDM	FKM	PTFE	TPEE	TPO	TPEE
Ball/O Ring	CR/NBR	NBR	EPDM	FKM	PTFE	TPEE/NBR	TPO/EPDM	PTFE/NBR
Valve Seat	SUS316 [SMS1025]							
Center Disk	SUS316							

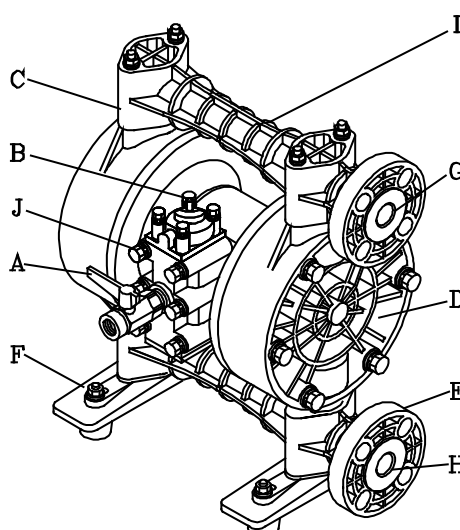
*CR, NBR, PTFE and TPEE diaphragms are set up in NDP-20BA□-D series.

*Forged iron casing is set up in NDP-25 series.

A: Air Valve
 B: Reset Button
 C: Out Manifold
 D: Out Chamber
 E: In Manifold
 F: Pump Base
 G: Discharge Port
 H: Intake Port
 I: Lift Point
 J: Ground Connection Point



NDP-20BP□ (THREAD TYPE)
 NDP-25BP□ (THREAD TYPE)
 NDP-25BV□ (THREAD TYPE)



NDP-20BP□ (FLANGE TYPE)
 NDP-25BP□ (FLANGE TYPE)
 NDP-25BV□ (FLANGE TYPE)

• Polypropylene type([]: Polyvinylidene fluoride type)

Type	BPC	BPN	BPE [BVE]	BPV [BVV]	BPT [BVT]	BPH [BVH]	BPS [BVS]	BPH/T
Switching Portion	ADC12							
Fluid contact Portion	PPG [PVDF]							
Diaphragm	CR	NBR	EPDM	FKM	PTFE	TPEE	TPO	TPEE
Ball/O Ring	CR/NBR	NBR	EPDM	FKM	PTFE	TPEE/NBR [TPEE/PTFE]	TPO/EPDM [TPO/PTFE]	PTFE/NBR
Valve Seat	PPG [PVDF]							
Center Disk	PPG(SCS13) [PVDF(SCS13)] *1							

*1. SCS13 is an insert material.

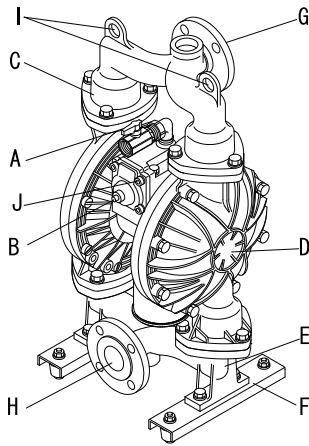
■ List of accessories

- Simple Operation Manual 1
- Air Valve 1
- Silencer 1
- Accessory Tool 2 (only BP□ and BV□)
- Suction Tube 1 (only BA□-D)
- Bung adopter Assembly 1 (only BA□-D)
- Bolt 4
- Nut 4
- Cushion 4

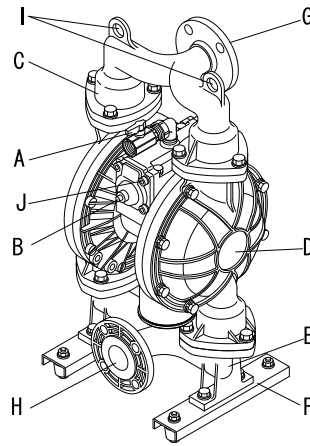
1.2 NDP-40 series

A: Air Valve
 B: Reset Button
 C: Out Manifold
 D: Out Chamber
 E: In Manifold

F: Pump Base(Stand)
 G: Discharge Port
 H: Intake Port
 I: Lift Point
 J: Ground Connection Point

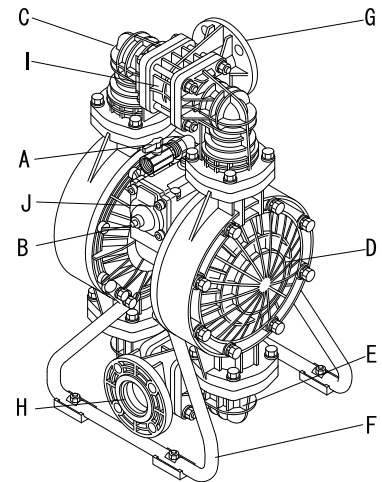


NDP-40BA□



NDP-40BS□

NDP-40BF□



NDP-40BP□

NDP-40BV□

• Aluminum type

Type	BAC	BAN	BAE	BAV	BAT	BAH	BAS	BAH/T	BAW
Switching Portion	ADC12								
Fluid contact Portion	ADC12, AC4C-T6								
Diaphragm	CR	NBR	EPDM	FKM	PTFE	TPEE	TPO	TPEE	PTFE+EPDM
Ball/O Ring	CR/NBR	NBR	EPDM	FKM	PTFE	TPEE/NBR	TPO/EPDM	PTFE/NBR	PTFE
Valve Seat	CR	NBR	EPDM	FKM	A5056	TPEE	TPO	TPEE	A5056
Center Disk	A5056								

• Stainless-steel type([]: Forged iron type)

Type	BSC [BFC]	BSN [BFN]	BSE [BFE]	BSV [BFV]	BST [BFT]	BSH [BFH]	BSS [BFS]	BSH/T	BSW [BFW]
Switching Portion	ADC12								
Fluid contact Portion	SCS14 [FC250]								
Diaphragm	CR	NBR	EPDM	FKM	PTFE	TPEE	TPO	TPEE	PTFE+EPDM
Ball/O Ring	CR/NBR	NBR	EPDM	FKM	PTFE	TPEE/NBR	TPO/EPDM	PTFE/NBR	PTFE
Valve Seat	CR	NBR	EPDM	FKM	SUS316	TPEE	TPO	TPEE	SUS316
Center Disk	SUS316 [SS400]								

• Polypropylene type([]: Polyvinylidene fluoride type)

Type	BPC	BPN	BPE [BVE]	BPV	BPT [BVT]	BPH	BPS [BVS]	BPH/T	BPW [BVW]
Switching Portion	ADC12								
Fluid contact Portion	PPG [PVDF]								
Diaphragm	CR	NBR	EPDM	FKM	PTFE	TPEE	TPO	TPEE	PTFE+EPDM
Ball/O Ring	CR/NBR	NBR	EPDM	FKM	PTFE	TPEE/NBR	TPO/EPDM [TPO/PTFE]	PTFE/NBR	PTFE
Valve Seat	PP [PTFE]								
Center Disk	PPG(SCS13) [PVDF(SCS13)] *1								

*1. SCS13 is an insert material.

■ List of accessories

- Simple Operation Manual1
- Cushion4 (excluding BP□, BV□ type)
- Bolt, Nut4 (for securing the pump with the cushions, excluding BP□, BV□ type)
- Air Valve1
- Bushing1

NDP-H40 series

A: Air Valve

F: Pump Base(Stand)

G: Discharge Port

C: Out Manifold

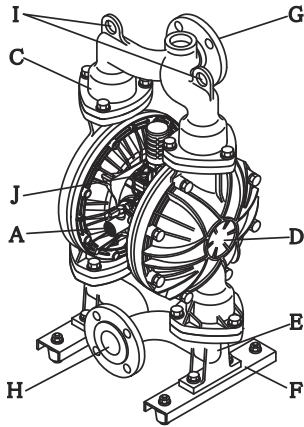
H: Intake Port

D: Out Chamber

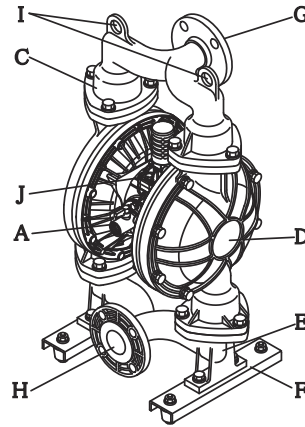
I: Lift Point

E: In Manifold

J: Ground Connection Point

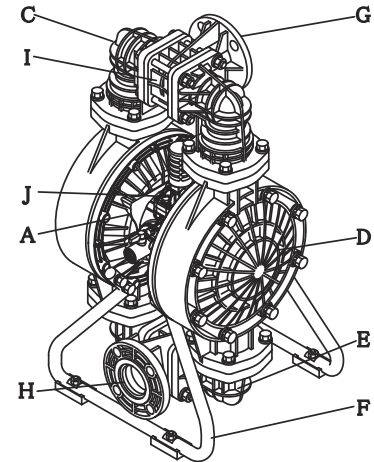


NDP-H40BA□



NDP-H40BS□

NDP-H40BF□



NDP-H40BP□

• Aluminum type

Type	BAC	BAN	BAE	BAV	BAT	BAH	BAS	BAH/T
Switching Portion	ADC12							
Fluid contact Portion	ADC12, AC4C-T6							
Diaphragm	CR	NBR	EPDM	FKM	PTFE	TPEE	TPO	TPEE
Ball/O Ring	CR/NBR	NBR	EPDM	FKM	PTFE	TPEE/NBR	TPO/EPDM	PTFE/NBR
Valve Seat	CR	NBR	EPDM	FKM	A5056	TPEE	TPO	TPEE
Center Disk	A5056							

• Stainless-steel type([]: Forged iron type)

Type	BSC [BFC]	BSN [BFN]	BSE [BFE]	BSV [BFV]	BST [BFT]	BSH [BFH]	BSS [BFS]	BSH/T [BFH/T]
Switching Portion	ADC12							
Fluid contact Portion	SCS14 [FC250]							
Diaphragm	CR	NBR	EPDM	FKM	PTFE	TPEE	TPO	TPEE
Ball/O Ring	CR/NBR	NBR	EPDM	FKM	PTFE	TPEE/NBR	TPO/EPDM	PTFE/NBR
Valve Seat	CR	NBR	EPDM	FKM	SUS316	TPEE	TPO	TPEE
Center Disk	SUS316 [SS400]							

• Polypropylene type

Type	BPC	BPN	BPE	BPV	BPT	BPH	BPS	BPH/T
Switching Portion	ADC12							
Fluid contact Portion	PPG							
Diaphragm	CR	NBR	EPDM	FKM	PTFE	TPEE	TPO	TPEE
Ball/O Ring	CR/NBR	NBR	EPDM	FKM	PTFE	TPEE/NBR	TPO/EPDM	PTFE/NBR
Valve Seat	PP							
Center Disk	PPG(SCS13) *1							

*1. SCS13 is an insert material.

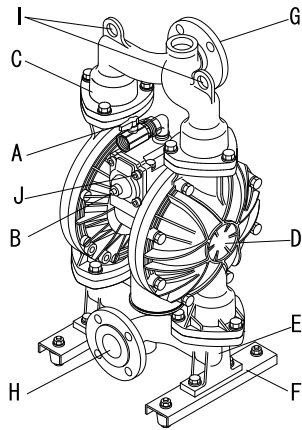
■ List of accessories

- Simple Operation Manual1
- Cushion4 (excluding BP□ type)
- Bolt, Nut4 (for securing the pump with the cushions, excluding BP□ type)
- Air Valve1
- Bushing1

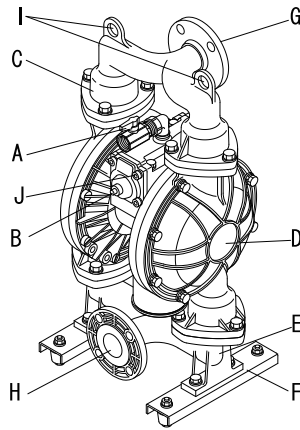
1.3 NDP-50 series

A: Air Valve
 B: Reset Button
 C: Out Manifold
 D: Out Chamber
 E: In Manifold

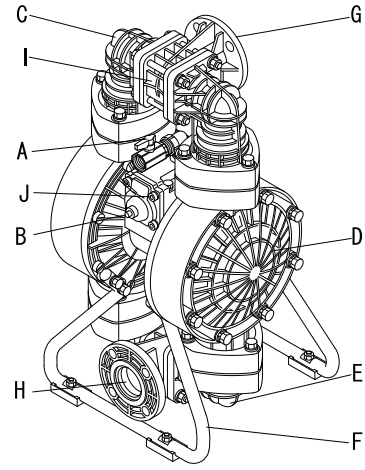
F: Pump Base(Stand)
 G: Discharge Port
 H: Intake Port
 I: Lift Point
 J: Ground Connection Point



NDP-50BA□



NDP-50BS□
 NDP-50BF□



NDP-50BP□
 NDP-50BV□

• Aluminum type

Type	BAC	BAN	BAE	BAV	BAT	BAH	BAS	BAH/T	BAW
Switching Portion	ADC12								
Fluid contact Portion	ADC12, AC4C-T6								
Diaphragm	CR	NBR	EPDM	FKM	PTFE	TPEE	TPO	TPEE	PTFE+EPDM
Ball/O Ring	CR/NBR	NBR	EPDM	FKM	PTFE	TPEE/NBR	TPO/EPDM	PTFE/NBR	PTFE
Valve Seat	CR	NBR	EPDM	FKM	A5056	TPEE	TPO	TPEE	A5056
Center Disk	A5056								

• Stainless-steel type([]: Forged iron type)

Type	BSC [BFC]	BSN [BFN]	BSE [BFE]	BSV [BFV]	BST [BFT]	BSH [BFH]	BSS [BFS]	BSH/T	BSW [BFW]
Switching Portion	ADC12								
Fluid contact Portion	SCS14 [FC250]								
Diaphragm	CR	NBR	EPDM	FKM	PTFE	TPEE	TPO	TPEE	PTFE+EPDM
Ball/O Ring	CR/NBR	NBR	EPDM	FKM	PTFE	TPEE/NBR	TPO/EPDM	PTFE/NBR	PTFE
Valve Seat	CR	NBR	EPDM	FKM	SUS316	TPEE	TPO	TPEE	SUS316
Center Disk	SUS316 [SS400]								

• Polypropylene type([]: Polyvinylidene fluoride type)

Type	BPC	BPN	BPE [BVE]	BPV [BVV]	BPT [BVT]	BPH [BVH]	BPS [BVS]	BPH/T	BPW [BVW]
Switching Portion	ADC12								
Fluid contact Portion	PPG [PVDF]								
Diaphragm	CR	NBR	EPDM	FKM	PTFE	TPEE	TPO	TPEE	PTFE+EPDM
Ball/O Ring	CR/NBR	NBR	EPDM	FKM	PTFE	TPEE/NBR [TPEE/PTFE]	TPO/EPDM [TPO/PTFE]	PTFE/NBR	PTFE
Valve Seat	PP [PTFE]								
Center Disk	PPG(SCS13) [PVDF(SCS13)] *1								

*1. SCS13 is an insert material.

■ List of accessories

- Simple Operation Manual1
- Cushion4 (excluding BP□, BV□ type)
- Bolt, Nut4 (for securing the pump with the cushions, excluding BP□, BV□ type)
- Air Valve1

NDP-H50 series

A: Air Valve

F: Pump Base(Stand)

G: Discharge Port

C: Out Manifold

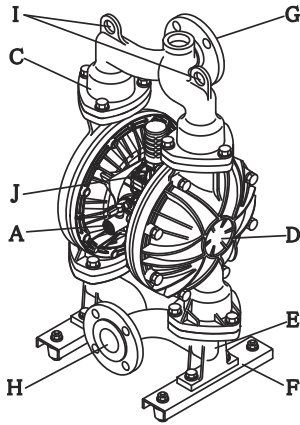
H: Intake Port

D: Out Chamber

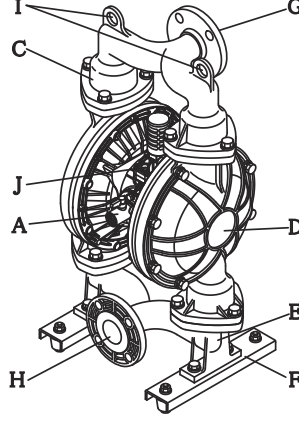
I: Lift Point

E: In Manifold

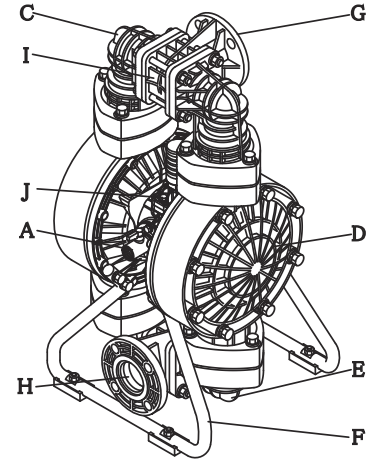
J: Ground Connection Point



NDP-H50BA□



NDP-H50BS□
NDP-H50BF□



NDP-H50BP□

• Aluminum type

Type	BAC	BAN	BAE	BAV	BAT	BAH	BAS	BAH/T
Switching Portion	ADC12							
Fluid contact Portion	ADC12, AC4C-T6							
Diaphragm	CR	NBR	EPDM	FKM	PTFE	TPEE	TPO	TPEE
Ball/O Ring	CR/NBR	NBR	EPDM	FKM	PTFE	TPEE/NBR	TPO/EPDM	PTFE/NBR
Valve Seat	CR	NBR	EPDM	FKM	A5056	TPEE	TPO	TPEE
Center Disk	A5056							

• Stainless-steel type([]: Forged iron type)

Type	BSC [BFC]	BSN [BFN]	BSE [BFE]	BSV [BFV]	BST [BFT]	BSH [BFH]	BSS [BFS]	BSH/T [BFH/T]
Switching Portion	ADC12							
Fluid contact Portion	SCS14 [FC250]							
Diaphragm	CR	NBR	EPDM	FKM	PTFE	TPEE	TPO	TPEE
Ball/O Ring	CR/NBR	NBR	EPDM	FKM	PTFE	TPEE/NBR	TPO/EPDM	PTFE/NBR
Valve Seat	CR	NBR	EPDM	FKM	SUS316	TPEE	TPO	TPEE
Center Disk	SUS316 [SS400]							

• Polypropylene type

Type	BPC	BPN	BPE	BPV	BPT	BPH	BPS	BPH/T
Switching Portion	ADC12							
Fluid contact Portion	PPG							
Diaphragm	CR	NBR	EPDM	FKM	PTFE	TPEE	TPO	TPEE
Ball/O Ring	CR/NBR	NBR	EPDM	FKM	PTFE	TPEE/NBR	TPO/EPDM	PTFE/NBR
Valve Seat	PP							
Center Disk	PPG(SCS13) *1							

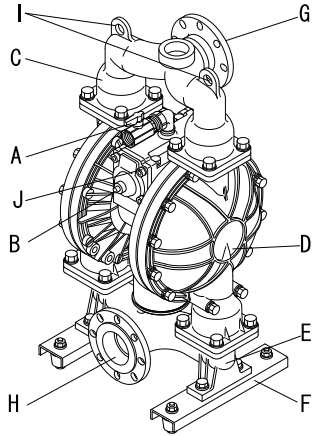
*1. SCS13 is an insert material.

■ List of accessories

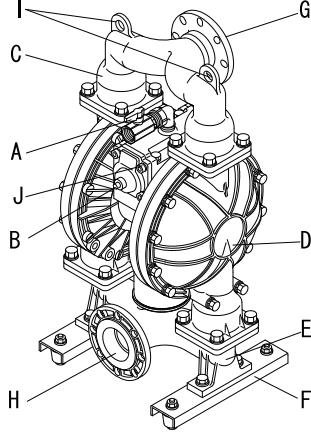
- Simple Operation Manual1
- Cushion4 (excluding BP□ type)
- Bolt, Nut4 (for securing the pump with the cushions, excluding BP□ type)
- Air Valve1

1.4 NDP-80 series

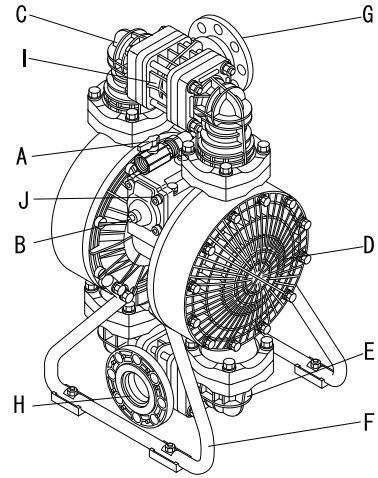
- A: Air Valve
- B: Reset Button
- C: Out Manifold
- D: Out Chamber
- E: In Manifold
- F: Pump Base(Stand)
- G: Discharge Port
- H: Intake Port
- I: Lift Point
- J: Ground Connection Point



NDP-80BA□



NDP-80BS□
NDP-80BF□



NDP-80BP□

• Aluminum type

Type	BAC	BAN	BAE	BAV	BAT	BAH	BAS	BAH/T	BAW
Switching Portion	ADC12								
Fluid contact Portion	ADC12, AC4C-T6								
Diaphragm	CR	NBR	EPDM	FKM	PTFE	TPEE	TPO	TPEE	PTFE+EPDM
Ball/O Ring	CR/NBR	NBR	EPDM	FKM	PTFE	TPEE/NBR	TPO/EPDM	PTFE/NBR	PTFE
Valve Seat	CR	NBR	EPDM	FKM	A5056	TPEE	TPO	TPEE	A5056
Center Disk	A5056								

• Stainless-steel type([]: Forged iron type)

Type	BSC [BFC]	BSN [BFN]	BSE [BFE]	BSV [BFV]	BST [BFT]	BSH [BFH]	BSS [BFS]	BSH/T	BSW [BFW]
Switching Portion	ADC12								
Fluid contact Portion	SCS14 [FC250]								
Diaphragm	CR	NBR	EPDM	FKM	PTFE	TPEE	TPO	TPEE	PTFE+EPDM
Ball/O Ring	CR/NBR	NBR	EPDM	FKM	PTFE	TPEE/NBR	TPO/EPDM	PTFE/NBR	PTFE
Valve Seat	CR	NBR	EPDM	FKM	SUS316	TPEE	TPO	TPEE	SUS316
Center Disk	SUS316 [SS400]								

• Polypropylene type

Type	BPC	BPN	BPE	BPV	BPT	BPH	BPS	BPH/T	BPW
Switching Portion	ADC12								
Fluid contact Portion	PPG								
Diaphragm	CR	NBR	EPDM	FKM	PTFE	TPEE	TPO	TPEE	PTFE+EPDM
Ball/O Ring	CR/NBR	NBR	EPDM	FKM	PTFE	TPEE/NBR	TPO/EPDM	PTFE/NBR	PTFE
Valve Seat	PP								
Center Disk	PPG(SCS13) *1								

*1. SCS13 is an insert material.

■ List of accessories

- Simple Operation Manual1
- Cushion4 (excluding BP□ type)
- Bolt, Nut4 (for securing the pump with the cushions, excluding BP□ type)
- Air Valve1

NDP-H80 series

A: Air Valve

F: Pump Base(Stand)

G: Discharge Port

C: Out Manifold

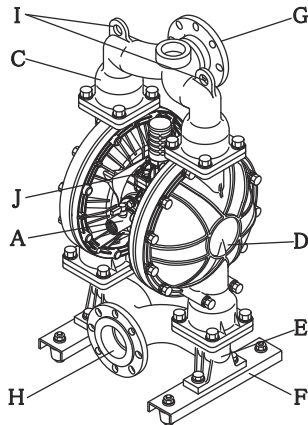
H: Intake Port

D: Out Chamber

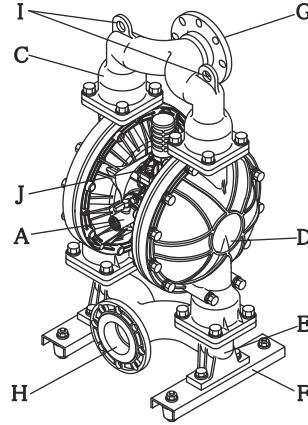
I: Lift Point

E: In Manifold

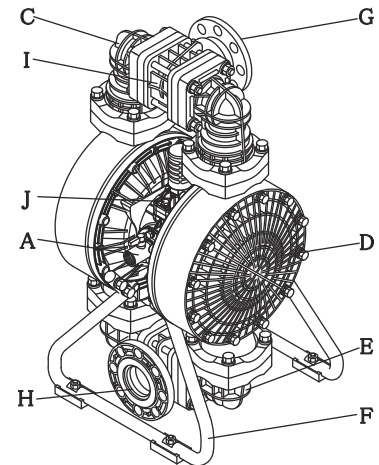
J: Ground Connection Point



NDP-H80BA□



NDP-H80BS□
NDP-H80BF□



NDP-H80BP□

• Aluminum type

Type	BAC	BAN	BAE	BAV	BAT	BAH	BAS	BAH/T
Switching Portion	ADC12							
Fluid contact Portion	ADC12, AC4C-T6							
Diaphragm	CR	NBR	EPDM	FKM	PTFE	TPEE	TPO	TPEE
Ball/O Ring	CR/NBR	NBR	EPDM	FKM	PTFE	TPEE/NBR	TPO/EPDM	PTFE/NBR
Valve Seat	CR	NBR	EPDM	FKM	A5056	TPEE	TPO	TPEE
Center Disk	A5056							

• Stainless-steel type([]: Forged iron type)

Type	BSC [BFC]	BSN [BFN]	BSE [BFE]	BSV [BFV]	BST [BFT]	BSH [BFH]	BSS [BFS]	BSH/T [BFH/T]
Switching Portion	ADC12							
Fluid contact Portion	SCS14							
Diaphragm	CR	NBR	EPDM	FKM	PTFE	TPEE	TPO	TPEE
Ball/O Ring	CR/NBR	NBR	EPDM	FKM	PTFE	TPEE/NBR	TPO/EPDM	PTFE/NBR
Valve Seat	CR	NBR	EPDM	FKM	SUS316	TPEE	TPO	TPEE
Center Disk	SUS316 [SS400]							

• Polypropylene type

Type	BPC	BPN	BPE	BPV	BPT	BPH	BPS	BPH/T
Switching Portion	ADC12							
Fluid contact Portion	PPG							
Diaphragm	CR	NBR	EPDM	FKM	PTFE	TPEE	TPO	TPEE
Ball/O Ring	CR/NBR	NBR	EPDM	FKM	PTFE	TPEE/NBR	TPO/EPDM	PTFE/NBR
Valve Seat	PP							
Center Disk	PPG(SCS13) *1							

*1. SCS13 is an insert material.

■ List of accessories

- Simple Operation Manual1
- Cushion4 (excluding BP□ type)
- Bolt, Nut4 (for securing the pump with the cushions, excluding BP□ type)
- Air Valve1

2. Assembly

2.1 Installation of accessories

- 1) First, open the product package and make sure that all the accessories are in order (see “1. Names of parts and materials” ■List of accessories).
- 2) Attach the air valve and the silencer (see the appearance drawings on “1. Names of parts and materials”).

⚠ CAUTION



• All of the connection parts are capped or taped for shipment. Remove the caps and tapes.



• When installing accessories, make sure that no foreign matter falls into the product, as it could cause malfunction of the switching portion.



• Cover an air valve, a silencer with sealing tape to prevent leakage.



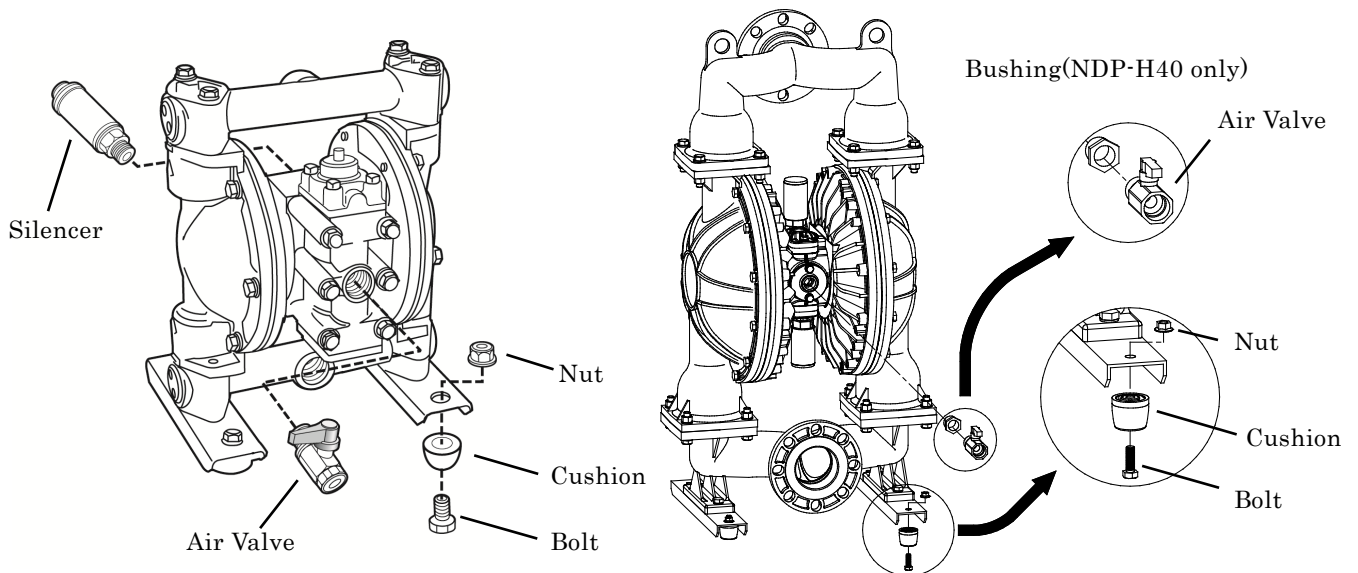
• See “10.1 Main specifications”. Remember that the pump is heavy, so extreme care must be taken when lifting it.

According to the point of a figure, please tighten each accessories with tools.

Coil the seal tape around the thread part of the air valve and the silencer, and prevent leak.

As for NDP-40, 50, and 80 series pumps, the silencer is factory installed.

NDP-H40 - NDP-H80 Type



NDP-32BAN does not have these nuts, cushions and bolts.

3. Installation

3.1 Method of transport

- When lifting the pump using a chain hoist or crane before transporting it, be sure to lift it by the specified lift point (see “1. Names of parts and materials”).

⚠ WARNING	
!	• Be careful that nobody will pass under the pump when you lift it. It would be very dangerous if the pump should fall.

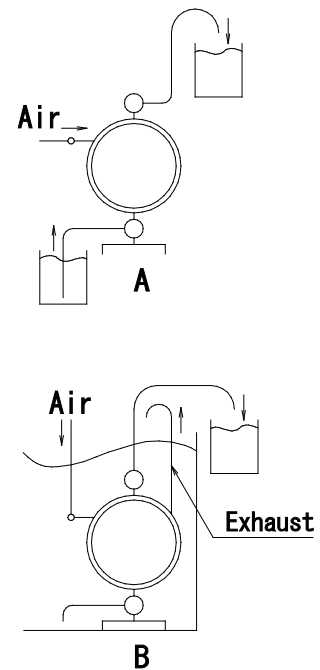
⚠ CAUTION	
!	• See “10.1 Main specifications”. Remember that the pump is heavy, so extreme care must be taken when lifting it.
!	• When moving the pump with a forklift or truck, make sure that the pump will not fall. If it does, it may be damaged and/or cause bodily injury.
⊘	• NEVER try to move the pump by pulling the hose connected to the pump. The hose or the pump may be damaged.

3.2 Installing the pump

- 1) Decide where the pump should be installed and secure a suitable space (see Fig. 3.1 A to D).

<NOTE>

- It should be installed horizontally.
- Try to keep the suction lift as short as possible.
To protect diaphragm from abnormal breakage, inlet pressure must be kept below the following values:
 - *PTFE diaphragm :0.02 MPa (height 2 m) During operation
 - :0.05 MPa (height 5 m) Not in operation
 - *Other diaphragms: 0.1 MPa (height 10 m)
 - (Condition with fresh water under ambient temperature)
- Remember to provide sufficient space around the pump for maintenance.
- The direction of the fluid intake port and the discharge port can be switched opposite from each other.
(For switching, see the maintenance manual.)
- In the event diaphragm failure the exhaust from pump may contain some sludge.
When operating the pump where it would have an impact on the environment, the exhaust should be directed to a place where there will be no environmental impact.



- 2) Remove the pump from the package and install it in the designated location.
- 3) When fixing the pump in place, use the cushions on the pump base, and secure the pump by tightening the tied-down bolts a little at a time.

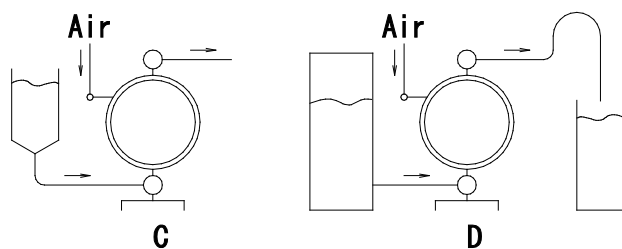


Fig.3.1

⚠ CAUTION



- Even if you do not use the cushions to secure the pump in place, mount it in such a way that vibration generated by pump operation will be absorbed.



- If the pump will be submerged during operation, follow the steps below:
 - *Verify the corrosion resistance of each component of the pump, and do NOT expose the pump to any fluid for which it does not have proper corrosion resistance.
 - *Exhaust should be directed outside, not into the fluid in which the pump is submerged. For information on how to arrange the exhaust, see NOTE: Arranging outside exhaust and Fig.3.2 below.
 - *Make sure that you can reach all of the valves without submerging your hand.



- When operating the pump, operation noise may be generated, depending upon conditions of use (kind of fluid being pumped, supply air pressure and discharge pressure). If any regulatory rules apply, provide appropriate acoustic measures. (For the noise level of this product, see “10.1 Main specifications”.)



- When pumping a hazardous fluid (hot, flammable, strong acid, etc.), provide protective measures (installation of a pit or sensors, etc.) in consideration of possible leakage of fluid, and post warning signs at necessary places. For details, see the applicable operating caution on P.2 and P.4.

⚠ WARNING



- If using the pump with a flammable fluid or in a flammable environment, read the applicable operating caution on P.3.

<NOTE> Arranging outside exhaust

- Remove the silencer.
- Connect a hose with a ground wire to the pump's exhaust port, and attach the silencer to the tip of the hose. Use a hose of the same diameter as the exhaust port. (If the hose is longer than 5 meters, consult your dealer or our regional office.)
- Have a pit, a protection box, etc. at the end of the hose.

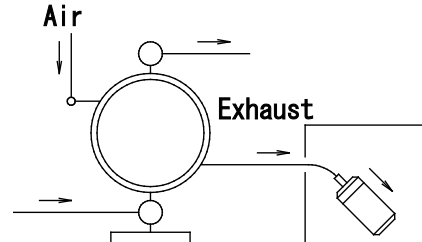


Fig.3.2

⚠ WARNING



- Be sure to have a pit, a protection box, etc. at the end of the hose in preparation for the flow of fluid in case of damage to a diaphragm. For details, see the applicable operating caution on P.2.



- Pump exhaust should be directed to a safe place, away from people, animals and food.

<NOTE> Solenoid Operation

When air line operation is to be controlled by a solenoid valve, a three way type is recommended. A three-way solenoid valve allows any trapped air to bleed off, in turn improving pump performance.

3.3 Connecting the ground wire

- a) When installing the pump, be sure to connect the ground wire at the specified position. For the specified position for connecting the ground wire, see “1. Names of parts and materials”.
- b) Also connect ground wires to peripheral equipment and piping.
- c) Use 2.0mm² minimum ground wire.

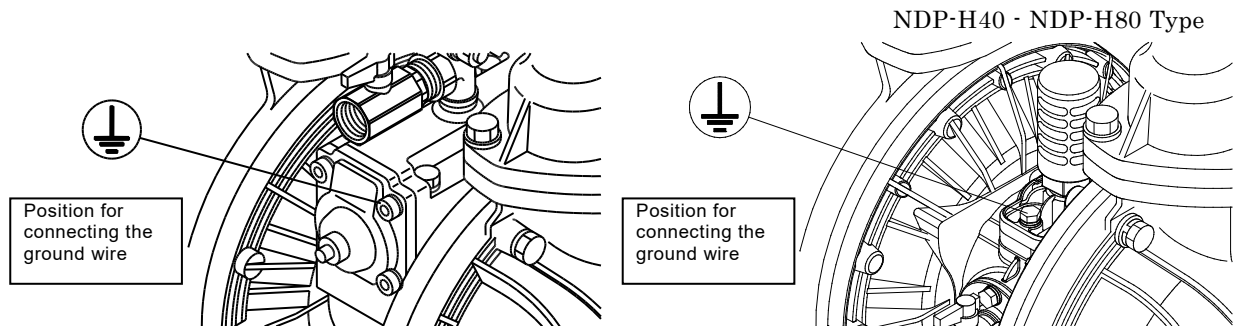


Fig.3.3

WARNING



- Be sure to connect ground wires to the connected piping and any other connected equipment. For details, see the applicable operating caution on P.3.
When the pump is operated without a ground wire or otherwise not properly grounded, friction between parts and abrasion caused by some fluids flowing inside the casing may generate static electricity. Also, depending on the type of fluid being pumped and the installation environment (such as gases in the air or the surrounding fixtures), it may be a cause of fire or electric shock.

4. Connection

4.1 Connecting fluid piping

- 1) Connect a flow valve and a drain valve to the fluid discharge port of the pump.
- 2) Connect a valve for maintenance to the fluid suction intake port of the pump.
- 3) Connect a hose to the valve on the suction-port side and the valve of the discharge-port side of the pump.
- 4) Connect a hose on the suction-side intake and the discharge-port side to the respective vessels.

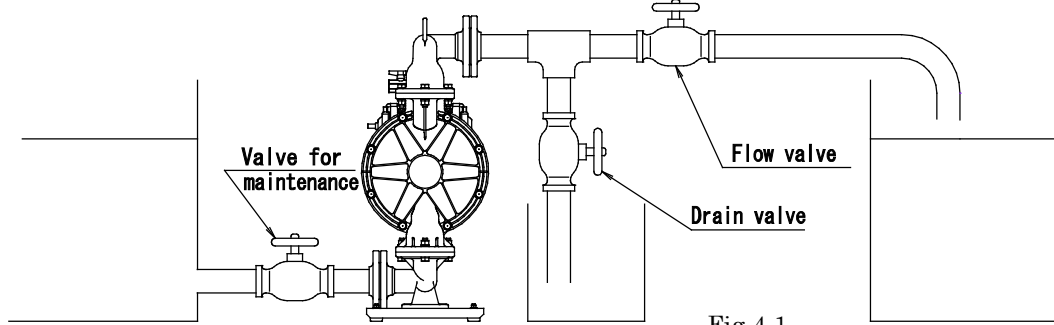


Fig.4.1

⚠ CAUTION



- Use a flexible hose to absorb pump vibration, and ground the hose.



- Make sure that there will be no external force on any connection part of the pump. Be especially careful not to have the pump support part of the weight of the hose and the piping.



- Use a sturdy hose that will not collapse under the strong suction of the pump. Also, make sure the hose is of more than sufficient pressure rating.



- Use a hose of a diameter the same as or larger than the pump's ports. If you use a hose of smaller diameter, the pump's performance will be adversely affected, and it may even malfunction.



- When pumping a fluid that contains slurry, verify that the particle size is below the slurry limitation (see "10.1 Main specifications"). If it exceeds the limitation of slurries indicated in the main specifications, attach a strainer to the pump to stop larger particles. Otherwise, such particles may cause a malfunction.



- If, depending upon the place of pump installation, the volume of the pumped fluid changes drastically, install a relief valve on the discharge side, and bring the pressure down below the maximum permissible value. If, owing to a change in the volume of fluid, the pressure inside the pump exceeds the maximum permissible pressure, it may cause damage.

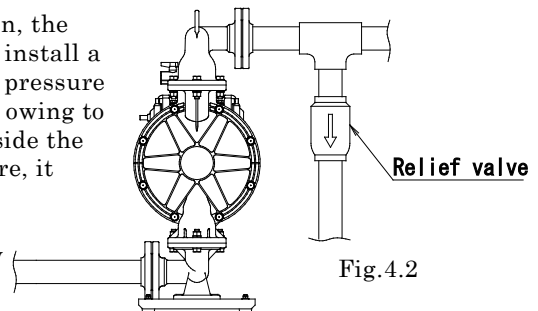


Fig.4.2



- Keep a vessel below the relief valve to catch any drain off.



- When testing piping for leakage, do NOT apply pressure to the pump's inlet and outlet sides with compressed air from outside. It may cause abnormal breakage to the diaphragm or the switching portion. When testing the piping, either install a valve between the pump's suction inlet and the discharge outlet and piping, or disconnect the pump from the piping and install plugs so that there will be no pressure from outside.



- In our product inspection, clean water is used. To prevent mixture of dirty water into the fluid to be pumped, clean the inside of the pump before finishing installation work.



- When installing a standby pump or two pumps in parallel from, be sure to provide a valve on each of the IN and OUT sides and perform pump switching by using the liquid material valve. If the valve of the stop-side pump is open, the diaphragm will be inverted by the discharge pressure of the operating-side pump, resulting in damage in an early stage.

4.2 Connecting air piping

⚠ WARNING



- Before starting work, make sure that the air compressor is shut off.

- 1) Connect an air valve, air filter, regulator and if necessary lubricator (hereinafter called the "peripheral equipment") to hose which connected to compressor.
Install air valve on the air inlet of the pump. See <NOTE> for the details.
- 2) Install these peripheral items supported by brackets, etc., near the pump.
- 3) Connect the hose from the peripheral equipment to the air valve of the pump's supply port.

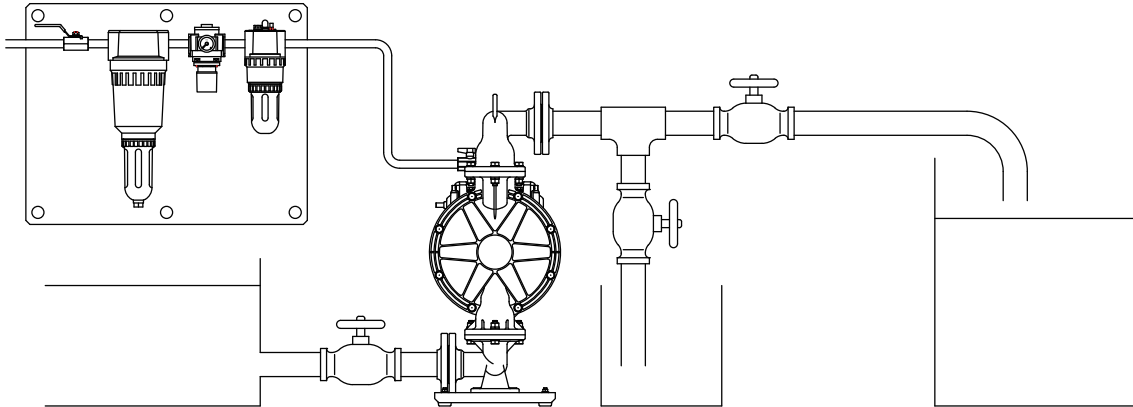


Fig.4.3

⚠ CAUTION



- Use a flexible hose to absorb pump vibration, and ground the hose.



- Make sure that there will be no external force on any connection part of the pump. Be especially careful not to have the pump support part of the weight of the hose and the piping.



- The piping and the peripheral equipment may become clogged with sludge. Clean the inside of the piping for 10 to 20 seconds before connecting it to the pump.



- Be sure to sufficiently ground the piping and peripheral equipment.
- For the NDP-H series, lubrication is required.

<NOTE>

- Air piping size should be equal to the inlet port of the pump to supply enough air to run the pump. The air compressor should be able to provide adequate air flow to the pump. Attach the compressor as close as possible to the pump, considering operability and stability of air pressure.
- If you use a solenoid valve as the air valve, be sure it is a three-way valve. When the valve is closed, the internal compressed air of the pump will be released, and this will switch the spool to its normal position.
- Use of a coupler for the connection part of each hose will make operation and maintenance easier.
- If you use the pump intermittently the pump will not require lubrication. However lubrication is recommended if running the pump continuously for long periods or using very dry air or at high temperatures. This will guarantee the life of the pumps seals.
 - *High temperature operation: When transferring liquid whose temperature exceeds 70°C
 - *Continuous operation: When the pump operates continuously for longer than 1 hour and is stopped for less than 15 minutes.
 - *Lubrication: Use only turbine oil Class 1 grade oil (equivalent to ISO VG 32), under the following conditions; Oil concentration at 50mg/m³, Absolute pressure at 0.1MPa. Maximum temperature of 20°C and Humidity at 65%.

5. Operation

5.1 Method of operation

CAUTION



- Before starting the pump, make sure that all piping is properly connected.



- Also, before starting the pump, make sure that all the bolts are securely tightened. (Refer to the maintenance manual for the bolts that a regulation torque are explained.)



- Make sure that the air valve, regulator and the drain valve on the discharge side are closed. Also, make sure that the valve on the suction side is opened.

- 1) Start the air compressor.
- 2) Open the air valve in front of each piece of peripheral equipment, and adjust the supply air pressure with a regulator to within the permissible range (see “10.1 Main specifications”).
- 3) Open the flow valve on the discharge side.
- 4) Press the RESET button (NDP-H40 - NDP-H80 is excluded), and then slowly open the air valve of the pump.
- 5) First, verify that fluid is flowing inside the piping and is being pumped to the discharge side, and then fully open the air valve.
- 6) Again adjust the supply air pressure with a regulator to within the permissible range (see “10.1 Main specifications”).

CAUTION



- Do NOT open the air valve suddenly.



- In case of use lubricator, must be used turbine oil none addition class 1 turbine oil (equivalent ISO VG32 grade) for lubricants. Do not apply lubricants more than required and also do not use any other lubricants, which designated on this instruction manual. This may cause of pump problem and there is danger of serious bodily damage.

5.2 Flow adjustment

- Adjust the flow valve on the discharge side. For the relationship among the flow, supply air pressure and discharge pressure, see “10.3 Performance curve”.

CAUTION



- As you start closing the flow valve, the supply air pressure may rise. Make sure that the pressure is kept within the normal operating range (see “10.1 Main specifications”).



- Depending upon the viscosity and specific gravity of the fluid, the suction stroke and other conditions, the permissible suction flow speed of fluid into the pump will vary; however, if the pump speed (flow speed of fluid) increases greatly, cavitation will occur, and this not only will reduce pump performance, but it may cause a malfunction. Adjust the supply air pressure as well as the flow in order to prevent cavitation.



- If fluid is not discharged after you start the pump, or if you hear an abnormal noise or notice any irregularity, shut down the pump immediately (see “8. Troubleshooting”).

5.3 Shutdown

- Close the air valve of the pump and shut off the supply air.

CAUTION



- There is no problem in shutting down the pump with the flow valve closed while air is being supplied; however, if this condition continues for many hours while there is nobody watching the pump, it may continue running when there is a leak from the pump or piping, and fluid may continue flowing out of the position of leakage. Upon finishing your work, release the internal pressure from the pump and close the air valve (see “5.4 Releasing the pressure”).



- When the pump is shut down while pumping slurry, particulate matter contained in the slurry will be deposited and get stuck inside the out chamber. If the pump is started again as-is, the diaphragm may be damaged or the center disk may be overloaded, and this may cause damage such as bending of the center rod. After finishing your work, purge the remaining fluid from the pump (see “6. Method of cleaning”).

5.4 Releasing the pressure

- 1) Make sure that the air valve of the pump is closed.
- 2) Shut down the air compressor or close the valve on the air-supply side of the peripheral equipment.
- 3) Close the flow valve on the discharge side, start slowly opening the drain valve, and discharge the fluid under pressure.
- 4) Open the air valve of the pump, start running the pump, and discharge the remaining air.
- 5) After making sure that the pump has been shut down and the pressure has been released, fully open the regulator, and close the air valve and drain valve of the pump.

CAUTION



- Keep a vessel below the relief valve to catch any drain off.



- Fluid under pressure will gush out as soon as you open the valve, so be careful.



- If the pump will be unused for a prolonged period, purge and clean the pump (see the Operating caution on P.3).

6. Method of cleaning

WARNING



• Before starting operation, make sure that compressed air is not supplied to the pump.



• Before starting operation, make sure that the pump is not pressurized.

- 1) Remove the hose from the suction side of the pump.
- 2) Close the flow valve on the discharge side, open the drain valve, and then operate a pump by starting air pressure for a while to discharge any fluid remaining inside the pump as much as possible.
- 3) Remove the hose from the discharge side, and attach different hoses to the suction side and the discharge side for cleaning.
- 4) Be ready with a vessel with cleaning solution, select cleaning solution appropriate for the type of fluid pumped, and then connect the suction-side and the discharge-side hoses of the pump.
- 5) Operate a pump by starting air pressure slowly, and let the cleaning solution circulate for sufficient cleaning.
- 6) Finally, flush with clean water.
- 7) Remove the hose from the suction side of the pump, run the pump for a while and purge the pump of remaining fluid as much as possible.

CAUTION



• Be careful when removing piping. Fluid will gush out.



• After cleaning with clean water, turn the pump upside-down to drain out the water.

7. Daily check

- Before starting pump operation, be sure to conduct the following check every day. If any irregularity is found, do NOT start running the pump until the cause of the irregularity has been found and corrective measures have been taken.
- a) Verify the drain flow through the air filter.
- b) In case using a lubricator, verify the quantity of lubricating oil.
- c) Make sure that there is no leakage of fluid from any connection part or the pump.
- d) Make sure that there are no cracks in the pump casing or piping.
- e) Check the tightness of every bolt of the pump and retighten if necessary. For details, see the maintenance manual.
- f) Make sure that the connection parts of the piping and peripheral equipment are not loose.
- g) Make sure that each consumable parts of the pump has not been inspected or replaced. For details, see the maintenance manual.

8. Troubleshooting

8.1 Pump does not run

Cause	Action to be taken
The exhaust port (silencer) of pump is clogged with sludge.	Check and clean the exhaust port and silencer.
Air is not supplied.	Start the compressor, and open the air valve and air regulator.
The supply air pressure is low.	Check the compressor and the configuration of air piping.
Air leaks from connection parts.	Check the connection parts and tightness of bolts.
Air piping or peripheral equipment is clogged with sludge.	Check and clean the air piping.
The flow valve on the discharge side is not open.	Open the flow valve on the discharge side.
The spool stopped in neutral position. (NDP-H40 - NDP-H80 is excluded)	Press the RESET button.
The fluid piping is clogged with sludge.	Check and clean the fluid piping.
The pump is clogged with sludge.	Disassemble the casing, check and clean.

8.2 Pump runs, but fluid does not come out

Cause	Action to be taken
The suction lift or discharge head is long.	Confirm the piping configuration and shorten the length.
The discharge-side fluid piping (including the strainer) is clogged with sludge.	Check and clean the fluid piping.
The valve on the suction side is not open.	Open the valve on the suction side.
The pump is clogged with sludge.	Disassemble the casing, check and clean.
The ball and valve seat are worn out or damaged.	Disassemble the manifold, check and replace parts.

8.3 Flow (discharge volume) decreased

Cause	Action to be taken
The supply air pressure is low.	Check the compressor and configuration of air piping.
Air piping or peripheral equipment is clogged with sludge.	Check and clean the air piping.
The discharge-side flow valve opens differently.	Adjust the discharge-side flow valve.
Air is taken in together with fluid.	Replenish fluid and check the configuration of the suction-side piping.
Cavitation occurs.	Adjust the supply air pressure and discharge pressure, and shorten the suction lift.
Chattering occurs.	Adjust the supply air pressure and discharge pressure. Reduce inlet flow valve to adjusting liquid pressure and volume.
Icing on air-switching portion.	Eliminate ice from air-switching valve and check and clean the air filter. Use external exhaust hose to control exhaust air speed. (Refer Fig.3.2)
The fluid piping (including the strainer) is clogged with sludge.	Check and clean the fluid piping and strainer.
The exhaust port (silencer) of the pump is clogged with sludge.	Check and clean the exhaust port and silencer.
The pump is clogged with sludge.	Disassemble the casing, check and clean.

8.4 Liquid leakage from exhaust port (silencer)

Cause	Action to be taken
The diaphragm is damaged.	Disassemble and check the pump and replace the diaphragm.
The fastening nuts for the center disk are loose.	Disassemble and check the pump. Tighten the nuts.

8.5 High air consumption during operation (NDP-H40 - NDP-H80 is excluded)

Cause	Action to be taken
The seal ring and sleeve are worn out.	Disassemble the air-switch portion, check and clean. Replace parts as necessary.

8.6 Irregular noise

Cause	Action to be taken
The supply air pressure too high.	Adjust the supply air pressure.
The spool oscillates (NDP-H40 - NDP-H80 is excluded), and occur ball chattering.	Adjust the supply air pressure and discharge pressure. Reduce inlet flow valve to adjusting liquid pressure and volume.
The pump is clogged with sludge with particles of larger than the permissible diameter.	Disassemble the casing, check and clean.

8.7 Irregular vibration



Cause	Action to be taken
The supply air pressure is too high.	Adjust the supply air pressure.
The spool oscillates (NDP-H40 - NDP-H80 is excluded), and occur ball chattering.	Adjust the supply air pressure and exhaust pressure.
Connection parts and pump mounting are loose.	Check each connection part and tighten the bolts.



- If disassembly is required, refer to the maintenance manual and follow with the instructions.
- If any of the above mentioned causes does not apply to your problem, contact your dealer or our regional office.

9. Returning the product for servicing

9.1 Before returning the product

- 1) Purge the pump of fluid and clean (see "6. Method of cleaning").
- 2) Return the product in the same package as when it was first shipped from the factory.

 WARNING	
	• It will be the end-user responsibility to thoroughly wash a clean the pumps to prevent accidents caused by liquid leaks.

 CAUTION	
	• Be sure to prevent liquid leak from pump for safe transport.

10. Main body specification

10.1 Main specifications

■ NDP-20 series

Type		NDP-20							
		BA□	BAT	BA□-D	BAT-D	BS□	BST	BP□	BPT
Nominal Diameter		3/4" (20 mm)							
Fluid Connection	Suction Port	Rc 3/4 NPT 3/4		φ 34 O.D.		Rc 3/4 NPT 3/4		Rc 3/4 or Equivalent to JIS flange 10K20A NPT 3/4 or Equivalent to ANSI flange 150 3/4	
	Discharge port			Rc 3/4					
Air Connection	Supply Port	Rc 1/4 NPT 1/4		Rc 1/4		Rc 1/4 NPT 1/4			
	Exhaust Port	Rc 3/4 NPT 3/4		Rc 3/4		Rc 3/4 NPT 3/4			
Operating Air Pressure		0.2 - 0.7 MPa						0.2 - 0.7 MPa *1	
Maximum Discharge Pressure		0.7 MPa						0.7 MPa *1	
Discharge Volume/cycle*2		350 mL		240 mL		350 mL	240 mL	350 mL	240 mL
Maximum Discharge Volume		110 L/min	100 L/min	90 L/min	85 L/min	110 L/min	100 L/min	110 L/min	100 L/min
Maximum Air Consumption		1200 L/min (ANR)	1400 L/min (ANR)	1200 L/min (ANR)	1300 L/min (ANR)	1200 L/min (ANR)	1400 L/min (ANR)	1200 L/min (ANR)	1400 L/min (ANR)
Slurry Limitation		2 mm or less							
Limitation of Viscosity		Suction Lift 3Pa·s or below Force In 8Pa·s or below							
Operating Temperature Range	Temp. Ambient	0 - 70 °C							
	Temp. Liquid	Diaphragm materials NBR/CR : 0 - 70 °C TPEE/EPDM : 0 - 80 °C FKM/TPO/PTFE : 0 - 100 °C						0 - 60 °C	
A-weighted emission sound pressure level*3		82 dB						84 dB	
A-weighted sound power level*4		96 dB						94 dB	
Weight		9.0 kg [10.7 kg]				14.0 kg		8.0 kg	

■ NDP-25 (metal type) series

Type		NDP-25					
		BA□	BAT	BS□	BST	BF□	BFT
Nominal Diameter		1" (25 mm)					
Fluid Connection	Suction Port	Rc 1					
	Discharge Port	NPT 1					
Air Connection	Supply Port	Rc 3/8 NPT 3/8					
	Exhaust Port	Rc 3/4 NPT 3/4					
Operating Air Pressure		0.2 - 0.7 MPa					
Maximum Discharge Pressure		0.7 MPa					
Discharge Volume/cycle*2		600 mL	500 mL	600 mL	500 mL	600 mL	500 mL
Maximum Discharge Volume		160 L/min					
Maximum Air Consumption		1600 L/min(ANR)	1800 L/min(ANR)	1600 L/min(ANR)	1800 L/min(ANR)	1600 L/min(ANR)	1800 L/min(ANR)
Slurry Limitation		3 mm or less					
Limitation of Viscosity		Suction Lift 3Pa·s or below Force In 8Pa·s or below					
Operating Temperature Range	Temp. Ambient	0 - 70 °C					
	Temp. Liquid	Diaphragm materials NBR/CR : 0 - 70 °C TPEE/EPDM : 0 - 80 °C FKM/TPO/PTFE : 0 - 100 °C					
A-weighted emission sound pressure level*3		81 dB					
A-weighted sound power level*4		92 dB					
Weight		13 kg		20 kg		20 kg	

*1. Maximum air pressure for non-metallic pumps decreases with temperature (See 29 page of "Temperature Pressure Curve").

*2. Discharge Volume/cycle is highly dependent on application. Contact your local distributor or Yamada for more information.

*3. The measuring method is based on ISO 1996.

*4. The measuring method is based on ISO 3744.

■ NDP-25 (plastic type) series

Type		NDP-25			
		BP□	BPT	BV□	BVT
Nominal Diameter		1" (25 mm)			
Fluid Connection	Suction Port	Rc 1 or Equivalent to JIS flange 10K 25A NPT 1 or Equivalent to ANSI flange 150 1			
	Discharge Port				
Air Connection	Supply Port	Rc 3/8 NPT 3/8			
	Exhaust Port	Rc 3/4 NPT 3/4			
Operating Air Pressure*1		0.2 - 0.7 MPa			
Maximum Discharge Pressure		0.7 MPa			
Discharge Volume/cycle*2		600 mL	500 mL	600 mL	500 mL
Maximum Discharge Volume		160L/min			
Maximum Air Consumption		1600 L/min(ANR)	1800 L/min(ANR)	1600 L/min(ANR)	1800 L/min(ANR)
Slurry Limitation		3 mm or less			
Limitation of Viscosity		Suction Lift 3Pa·s or below Force In 8Pa·s or below			
Operating Temperature Range	Temp. Ambient	0 - 70 °C			
	Temp. Liquid	0 - 60 °C			
A-weighted emission sound pressure level*3		86 dB			
A-weighted sound power level*4		96 dB			
Weight		11.0 kg		13.5 kg	

■ NDP-32 series

Type		NDP-32	
		BAN	BAT
Fluid Connection	Suction Port	Rc 1-1/2 NPT 1-1/2	
	Discharge Port	Rc 1-1/4 NPT 1-1/4	
Air Connection	Supply Port	Rc 3/8 NPT 3/8	
	Exhaust Port	Rc 3/4 NPT 3/4	
Operating Air Pressure		0.2 - 0.7 MPa	
Maximum Discharge Pressure		0.7 MPa	
Discharge Volume/cycle*2		670 mL	560 mL
Maximum Discharge Volume		190 L/min	165 L/min
Maximum Air Consumption		2000 L/min (ANR)	
Slurry Limitation		3 mm or less	
Limitation of Viscosity		Suction Lift 3Pa·s or below Force In 8Pa·s or below	
Operating Temperature Range	Temp. Ambient	0 - 70 °C	
	Temp. Liquid	0 - 70 °C	0 - 100 °C
A-weighted emission sound pressure level*4		81 dB	
A-weighted sound power level*5		95 dB	
Weight		12.0 kg	

*1. Maximum air pressure for non-metallic pumps decreases with temperature (See 29 page of "Temperature Pressure Curve").

*2. Discharge Volume/cycle is highly dependent on application. Contact your local distributor or Yamada for more information.

*3. The measuring method is based on ISO 1996.

*4. The measuring method is based on ISO 3744.

■ NDP-40 series

Type		NDP-40								
		BA□	BAT BAW	BS□	BST BSW	BF□	BFT BFW	BP□, BV□	BPT BVT BPW BVW	
Nominal Diameter		1-1/2" (40 mm)								
Fluid Connection	Suction Port	Equivalent to JIS flange 10K40A		Equivalent to JIS flange 10K40A		Rc 1-1/2 NPT 1-1/2		Equivalent to JIS flange 10K40A		
	Discharge Port	Equivalent to ANSI flange 150 1-1/2 & NPT 1-1/2 *5		Equivalent to ANSI flange 150 1-1/2 or NPT 1-1/2				Equivalent to ANSI flange 150 1-1/2 *5		
Air Connection	Supply Port	Rc 1/2 *5 NPT 1/2								
	Exhaust Port	Rc 1 *5 NPT 1								
Operating Air Pressure		0.2 - 0.7 MPa				0.2 - 0.7 MPa *1				
Maximum Discharge Pressure		0.7 MPa				0.7 MPa *1				
Discharge Volume/cycle*2		2800 mL	1400 mL 1300 mL	2800 mL	1400 mL 1300 mL	2800 mL	1400 mL 1300 mL	2800 mL	1400 mL	
Maximum Discharge Volume		400 L/min	350 L/min 400 L/min	400 L/min	350 L/min 400 L/min	400 L/min	350 L/min 400 L/min	370 L/min	330 L/min 370 L/min	
Maximum Air Consumption		BA□, BAT, BS□, BST, BF□, BFT : 4000 L/min(ANR)						BP□, BPT, BV□, BVT : 3000 L/min(ANR)		
		BAW, BSW, BFW : 5000 L/min(ANR)						BPW, BVW : 4700 L/min(ANR)		
Slurry Limitation		7 mm or less								
Limitation of Viscosity		Suction Lift 3Pa·s or below Force In 8Pa·s or below								
Operating Temperature Range	Temp. Ambient	0 - 70 °C								
	Temp. Liquid	Diaphragm materials NBR/CR : 0 - 70 °C		TPEE/EPDM : 0 - 80 °C		0 - 60 °C				
		FKM/TPO/PTFE : 0 - 100 °C		PTFE+EPDM : 0 - 100 °C						
A-weighted emission sound pressure level*3		98 dB								
A-weighted sound power level*4		106 dB								
Weight		27 kg	26.5 kg	42.8 kg	41.5 kg	47.2 kg	46 kg	BP□, BPT : 27 kg, BV□, BVT : 32 kg BPW : 26 kg, BVW : 31 kg		

■ NDP-H40 series

Type		NDP-H40							
		BA□	BAT	BS□	BST	BF□	BFT	BP□	BPT
Nominal Diameter		1-1/2" (40 mm)							
Fluid Connection	Suction Port	Equivalent to JIS flange 10K40A		Equivalent to JIS flange 10K40A		Rc 1-1/2 NPT 1-1/2		Equivalent to JIS flange 10K40A	
	Discharge Port	Equivalent to ANSI flange 150 1-1/2 & NPT 1-1/2		Equivalent to ANSI flange 150 1-1/2 or NPT 1-1/2				Equivalent to ANSI flange 150 1-1/2	
Air Connection	Supply Port	Rc 1/2 NPT 1/2							
	Exhaust Port	Rc 3/4 NPT 3/4							
Operating Air Pressure		0.1 - 0.85 MPa	0.15 - 0.7 MPa	0.1 - 0.85 MPa	0.15 - 0.7 MPa	0.1 - 0.85 MPa	0.15 - 0.7 MPa	0.1 - 0.7 MPa *1	0.15 - 0.7 MPa *1
Allowable Air pressure		0.9 MPa	————	0.9 MPa	————	0.9 MPa	————	————	
Maximum Discharge Pressure		0.85 MPa	0.7 MPa	0.85 MPa	0.7 MPa	0.85 MPa	0.7 MPa	0.7 MPa *1	
Discharge Volume/cycle*2		2300 mL	900 mL	2300 mL	900 mL	2300 mL	900 mL	2300 mL	900 mL
Maximum Discharge Volume		370 L/min	270 L/min	370 L/min	270 L/min	370 L/min	270 L/min	320 L/min	250 L/min
Maximum Air Consumption		4500 L/min(ANR)	4000 L/min(ANR)	4500 L/min(ANR)	4000 L/min(ANR)	4500 L/min(ANR)	4000 L/min(ANR)	3500 L/min(ANR)	4000 L/min(ANR)
Slurry Limitation		7 mm or less							
Limitation of Viscosity		Suction Lift 3Pa·s or below Force In 8Pa·s or below							
Operating Temperature Range	Temp. Ambient	0 - 70 °C							
	Temp. Liquid	Diaphragm materials NBR/CR : 0 - 70 °C		TPEE/EPDM : 0 - 80 °C		0 - 60 °C			
		FKM/TPO/PTFE : 0 - 100 °C							
A-weighted emission sound pressure level*3		91 dB						92 dB	
A-weighted sound power level*4		104 dB						103 dB	
Weight		26 kg	24.5 kg	41.3 kg	40 kg	44 kg	42.8 kg	24 kg	

*1. Maximum air pressure for non-metallic pumps decreases with temperature (See 29 page of "Temperature Pressure Curve").

*2. Discharge Volume/cycle is highly dependent on application. Contact your local distributor or Yamada for more information.

*3. The measuring method is based on ISO 1996.

*4. The measuring method is based on ISO 3744.

*5. For Oceania market model(OC), the fluid connection is ANSI flange and the air connection is Rc-screw.

■ NDP-50 series

Type		NDP-50							
		BA□	BAT BAW	BS□	BST BSW	BF□	BFT BFW	BP□, BV□	BPT BVT BPW BVW
Nominal Diameter		2" (50 mm)							
Fluid Connection	Suction Port	Equivalent to JIS flange 10K50A Equivalent to ANSI flange 150 2 & NPT 2		Equivalent to JIS flange 10K50A Equivalent to ANSI flange 150 2 or NPT 2		Rc 2 NPT 2		Equivalent to JIS flange 10K50A Equivalent to ANSI flange 150 2	
	Discharge Port								
Air Connection	Supply Port	Rc 3/4 NPT 3/4							
	Exhaust Port	Rc 1 NPT 1							
Operating Air Pressure		0.2 - 0.7 MPa						0.2 - 0.7 MPa *1	
Maximum Discharge Pressure		0.7 MPa						0.7 MPa *1	
Discharge Volume/cycle*2		4300 mL	2100 mL 2600 mL	4300 mL	2100 mL 2600 mL	4300 mL	2100 mL 2600 mL	4300 mL	2100 mL 2000 mL
Maximum Discharge Volume		630 L/min	600 L/min 630 L/min	630 L/min	600 L/min 630 L/min	630 L/min	600 L/min 630 L/min	600 L/min	550 L/min 600 L/min
Maximum Air Consumption		BA□, BAT, BS□, BST, BF□, BFT : 6000 L/min(ANR)						BP□, BPT, BV□, BVT : 6000 L/min(ANR)	
		BAW, BSW, BFW : 6100 L/min(ANR)						BPW, BVW : 5600 L/min(ANR)	
Slurry Limitation		8 mm or less							
Limitation of Viscosity		Suction Lift 3Pa·s or below Force In 8Pa·s or below							
Operating Temperature Range	Temp. Ambient	0 - 70 °C							
	Temp. Liquid	Diaphragm materials NBR/CR : 0 - 70 °C TPEE/EPDM : 0 - 80 °C FKM/TPO/PTFE : 0 - 100 °C PTFE+EPDM : 0 - 100 °C						0 - 60 °C	
A-weighted emission sound pressure level*3		95 dB						100 dB	
A-weighted sound power level*4		104 dB						110 dB	
Weight		34.5 kg	32.5 kg 33.5 kg	62 kg	58.5 kg 59.5 kg	65 kg	61.5 kg 62.5 kg	BP□, BPT, BPW : 35 kg BV□, BVT, BVW : 41 kg	

■ NDP-H50 series

Type		NDP-H50							
		BA□	BAT	BS□	BST	BF□	BFT	BP□	BPT
Nominal Diameter		2" (50 mm)							
Fluid Connection	Suction Port	Equivalent to JIS flange 10K50A Equivalent to ANSI flange 150 2 & NPT 2		Equivalent to JIS flange 10K50A Equivalent to ANSI flange 150 2 or NPT 2		Rc 2 NPT 2		Equivalent to JIS flange 10K50A Equivalent to ANSI flange 150 2	
	Discharge Port								
Air Connection	Supply Port	Rc 3/4 NPT 3/4							
	Exhaust Port								
Operating Air Pressure		0.1 - 0.85 MPa	0.15 - 0.7 MPa	0.1 - 0.85 MPa	0.15 - 0.7 MPa	0.1 - 0.85 MPa	0.15 - 0.7 MPa	0.1 - 0.7 MPa *1	0.15 - 0.7 MPa *1
Allowable Air pressure		0.9 MPa	————	0.9 MPa	————	0.9 MPa	————	————	————
Maximum Discharge Pressure		0.85 MPa	0.7 MPa	0.85 MPa	0.7 MPa	0.85 MPa	0.7 MPa	0.7MPa *1	
Discharge Volume/cycle*2		3500 mL	1300 mL	3500 mL	1300 mL	3500 mL	1300 mL	3500 mL	1300 mL
Maximum Discharge Volume		460 L/min	340 L/min	460 L/min	340 L/min	460 L/min	340 L/min	460 L/min	320 L/min
Maximum Air Consumption		4500 L/min(ANR)	4000 L/min(ANR)	4500 L/min(ANR)	4000 L/min(ANR)	4500 L/min(ANR)	4000 L/min(ANR)	4000 L/min(ANR)	4500 L/min(ANR)
Slurry Limitation		8 mm or less							
Limitation of Viscosity		Suction Lift 3Pa·s or below Force In 8Pa·s or below							
Operating Temperature Range	Temp. Ambient	0 - 70 °C							
	Temp. Liquid	Diaphragm materials NBR/CR : 0 - 70 °C TPEE/EPDM : 0 - 80 °C FKM/TPO/PTFE : 0 - 100 °C						0 - 60 °C	
A-weighted emission sound pressure level*3		93 dB						92 dB	
A-weighted sound power level*4		104 dB						103 dB	
Weight		35.2 kg	33.5 kg	57.5 kg	54 kg	62 kg	58.5 kg	34 kg	32.5 kg

*1. Maximum air pressure for non-metallic pumps decreases with temperature (See 29 page of "Temperature Pressure Curve").

*2. Discharge Volume/cycle is highly dependent on application. Contact your local distributor or Yamada for more information.

*3. The measuring method is based on ISO 1996.

*4. The measuring method is based on ISO 3744.

NDP-80 series

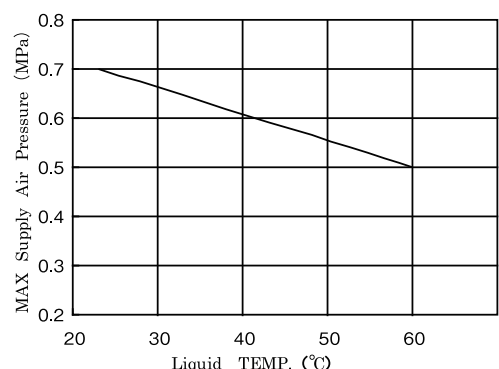
Type		NDP-80							
		BA□	BAT BAW	BS□	BST BSW	BF□	BFT BFW	BP□	BPT BPW
Nominal Diameter		3" (80 mm)							
Fluid Connection	Suction Port	Equivalent to JIS flange 10K80A		Equivalent to JIS flange 10K80A		Rc 3 NPT 3		Equivalent to JIS flange 10K80A	
	Discharge Port	Equivalent to ANSI flange 150 3 & NPT 3		Equivalent to ANSI flange 150 3 or NPT 3				Equivalent to ANSI flange 150 3	
Air Connection	Supply Port	Rc 3/4 NPT 3/4							
	Exhaust Port	Rc 1 NPT 1							
Operating Air Pressure		0.2 - 0.7 MPa						0.2 - 0.7 MPa *1	
Maximum Discharge Pressure		0.7 MPa							
Discharge Volume/cycle*2		8500 mL	3800 mL 5200 mL	8500 mL	3800 mL 5200 mL	8500 mL	3800 mL 5200 mL	8500 mL	3800 mL 5000 mL
Maximum Discharge Volume		840 L/min	640 L/min 840 L/min	840 L/min	640 L/min 840 L/min	840 L/min	640 L/min 840 L/min	800 L/min	580 L/min 800 L/min
Maximum Air Consumption		BA□, BAT, BS□, BST, BF□, BFT : 6000 L/min(ANR)						6000 L/min(ANR)	
Slurry Limitation		BAW, BSW, BFW : 6100 L/min(ANR)							
Limitation of Viscosity		10 mm or less							
Operating Temperature Range		Temp. Ambient		Temp. Liquid				Temp. Ambient	
A-weighted emission sound pressure level*3		90 dB						93 dB	
A-weighted sound power level*4		99 dB						103 dB	
Weight		62 kg	58.5 kg 61 kg	109 kg	101.5 kg 104.0 kg	109.5 kg	101.5 kg 104.0 kg	65.5 kg	61.5 kg 67.5 kg

NDP-H80 series

Type		NDP-H80							
		BA□	BAT	BS□	BST	BF□	BFT	BP□	BPT
Nominal Diameter		3" (80 mm)							
Fluid Connection	Suction Port	Equivalent to JIS flange 10K80A		Equivalent to JIS flange 10K80A		Rc 3 NPT 3		Equivalent to JIS flange 10K80A	
	Discharge Port	Equivalent to ANSI flange 150 3 & NPT 3		Equivalent to ANSI flange 150 3 or NPT 3				Equivalent to ANSI flange 150 3	
Air Connection	Supply Port	Rc 3/4							
	Exhaust Port	NPT 3/4							
Operating Air Pressure		0.1 - 0.85 MPa	0.15 - 0.7 MPa	0.1 - 0.85 MPa	0.15 - 0.7 MPa	0.1 - 0.85 MPa	0.15 - 0.7 MPa	0.1 - 0.7 MPa *1	0.15 - 0.7 MPa *1
Allowable Air pressure		0.9 MPa		0.9 MPa		0.9 MPa		0.7 MPa *1	
Maximum Discharge Pressure		0.85 MPa	0.7 MPa	0.85 MPa	0.7 MPa	0.85 MPa	0.7 MPa	0.7 MPa *1	
Discharge Volume/cycle*2		6400 mL	3100 mL	6400 mL	3100 mL	6400 mL	3100 mL	6400 mL	3100 mL
Maximum Discharge Volume		590 L/min	360 L/min	590 L/min	360 L/min	590 L/min	360 L/min	610 L/min	360 L/min
Maximum Air Consumption		5000 L/min(ANR)							
Slurry Limitation		10 mm or less							
Limitation of Viscosity		Suction Lift 3Pa·s or below Force In 8Pa·s or below							
Operating Temperature Range		Temp. Ambient		Temp. Liquid				Temp. Ambient	
A-weighted emission sound pressure level*3		90 dB						84 dB	
A-weighted sound power level*4		97 dB						95 dB	
Weight		61.7 kg	59.2 kg	99 kg	91.4 kg	109 kg	101 kg	67.5 kg	65.5 kg

- *1. Maximum air pressure for non-metallic pumps decreases with temperature (See 29 page of "Temperature Pressure Curve").
- *2. Discharge Volume/cycle is highly dependent on application. Contact your local distributor or Yamada for more information.
- *3. The measuring method is based on ISO 1996.
- *4. The measuring method is based on ISO 3744.

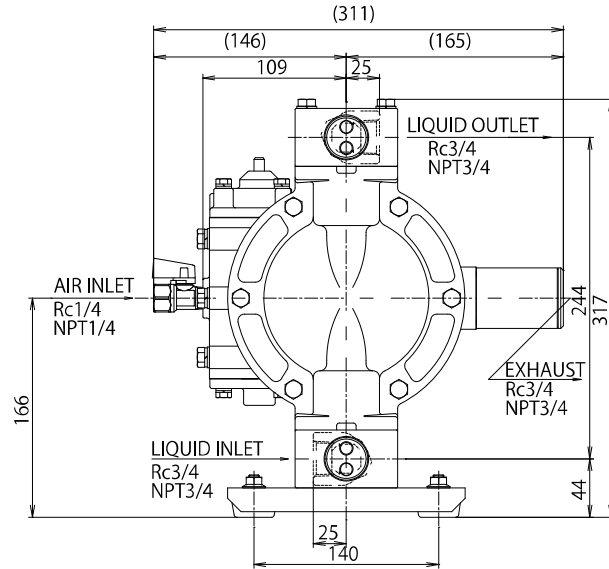
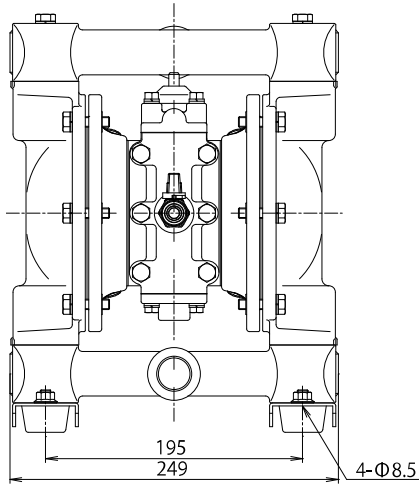
Liquid TEMP.-MAX. Supply Air Pressure Curve



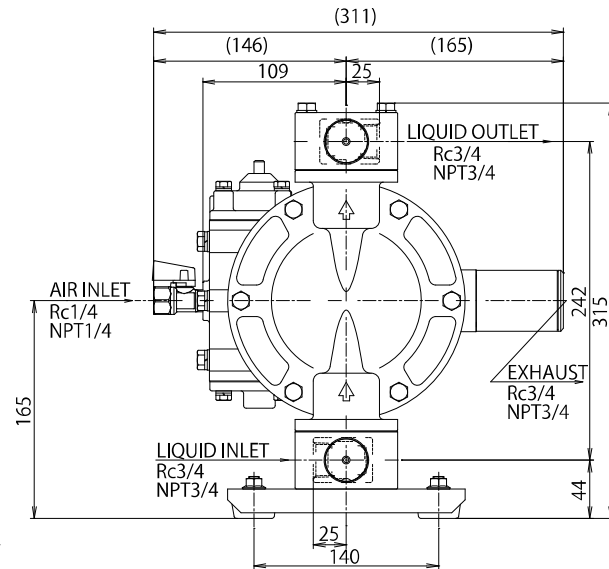
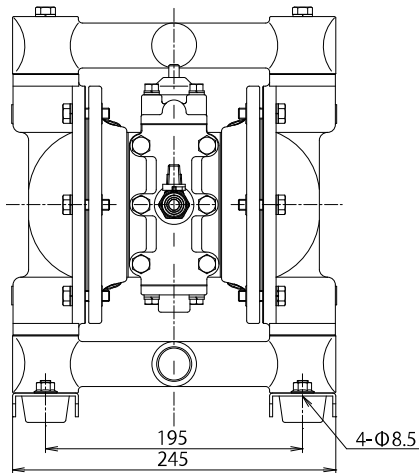
10.2 Appearance and dimensions

10.2.1 NDP-20 series

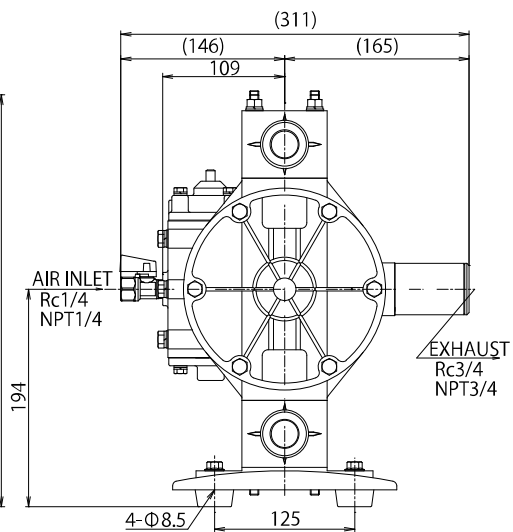
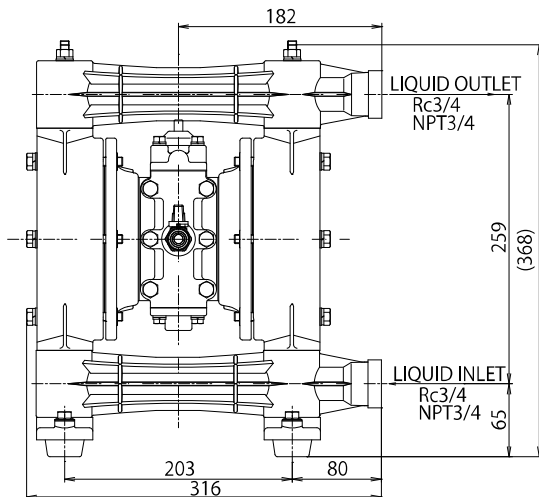
■ NDP-20BA □



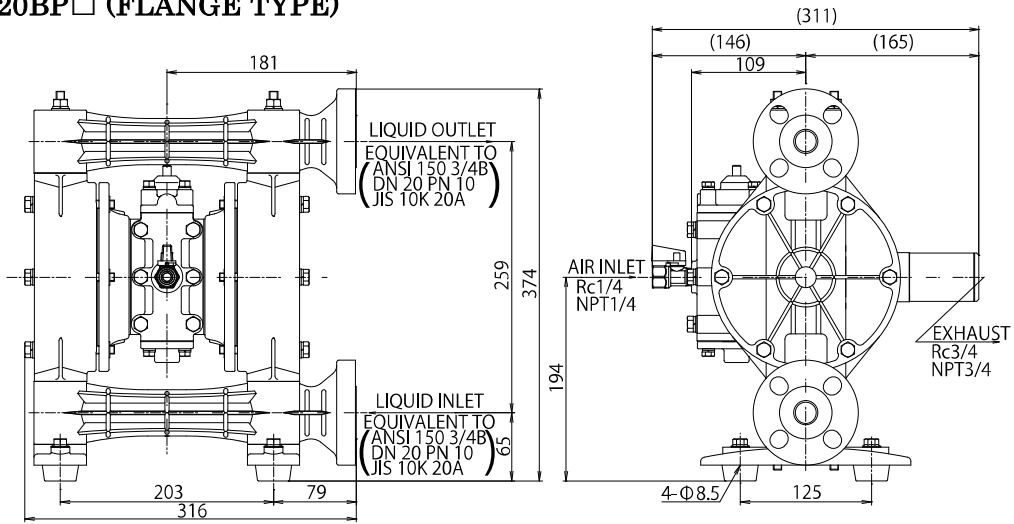
■ NDP-20BS □



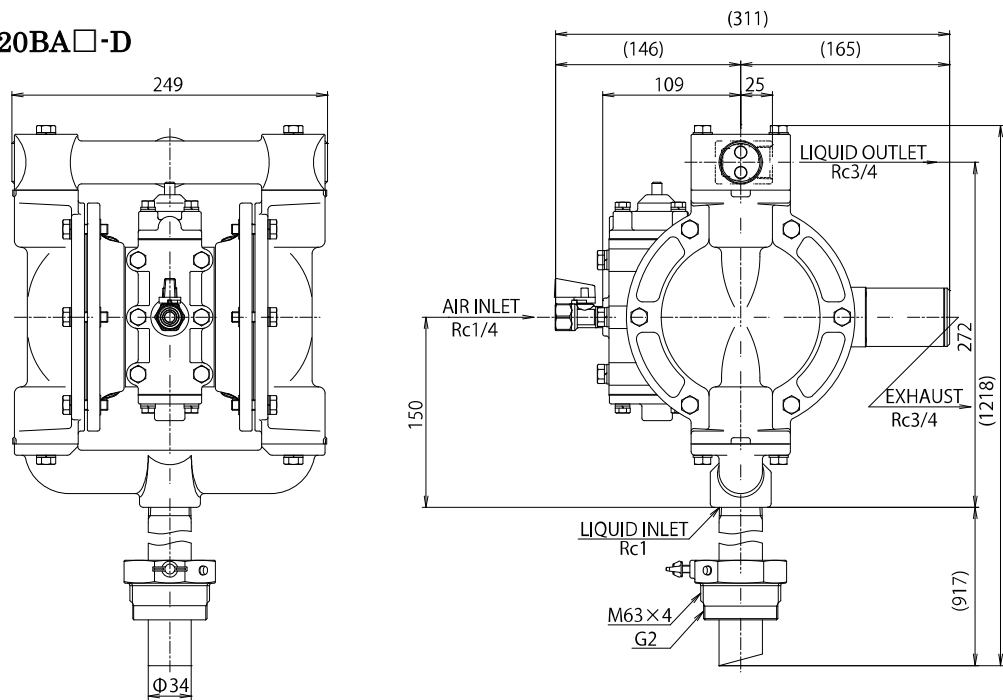
■ NDP-20BP □ (THREAD TYPE)



■ NDP-20BP □ (FLANGE TYPE)

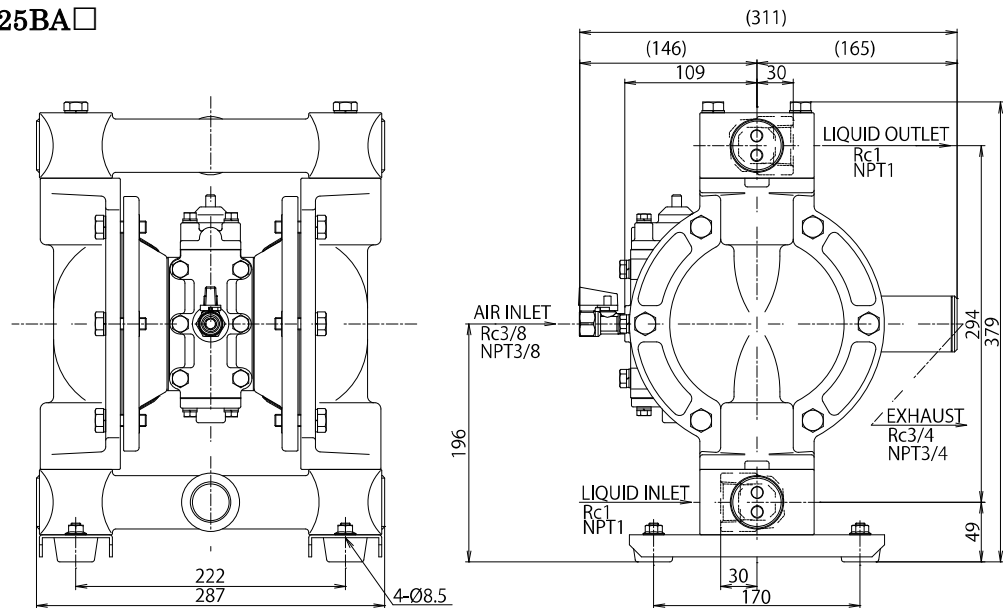


■ NDP-20BA □ -D

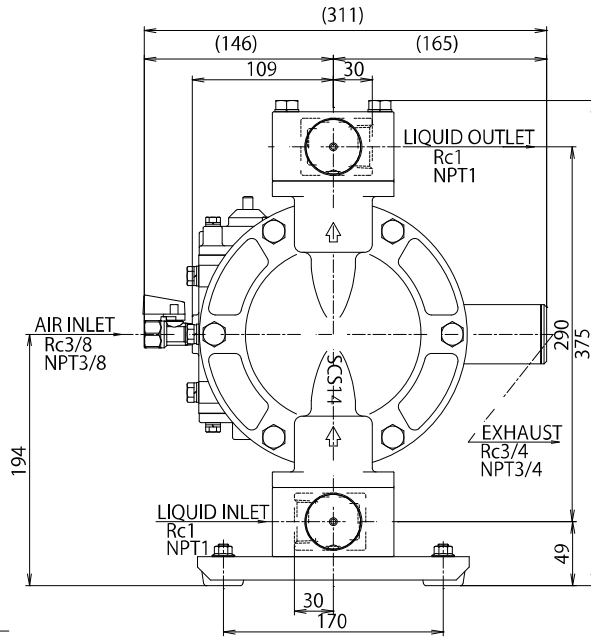
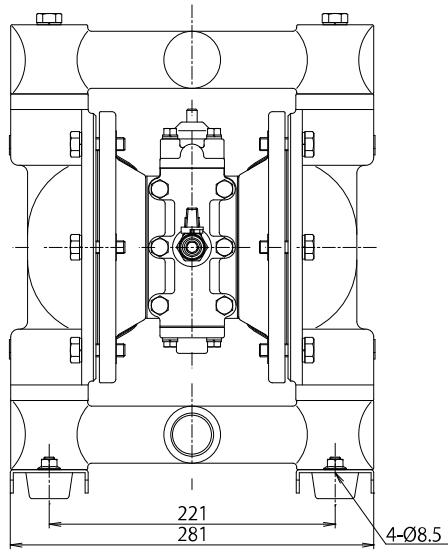


10.2.2 NDP-25 series

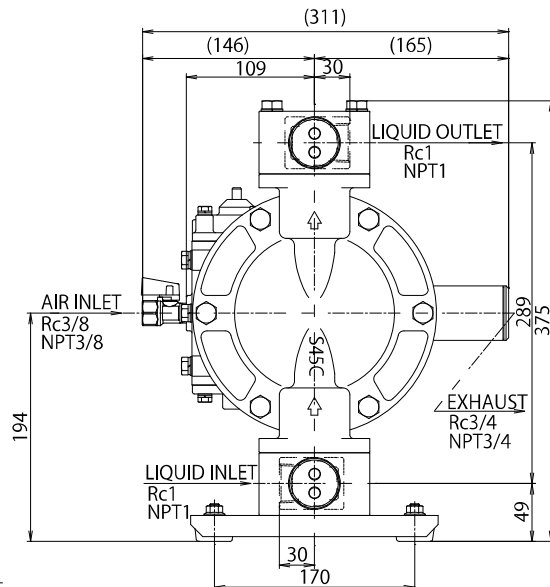
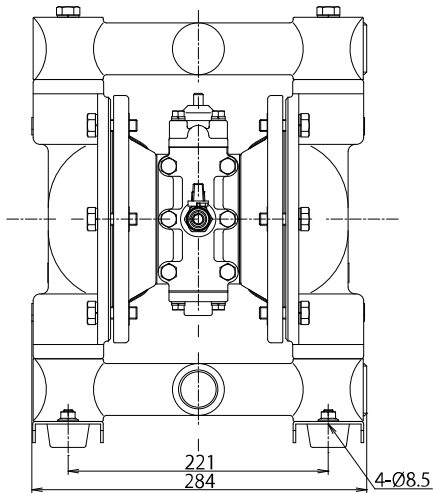
■ NDP-25BA □



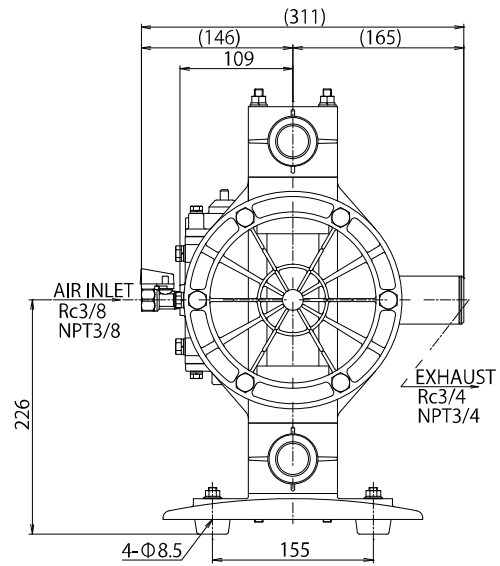
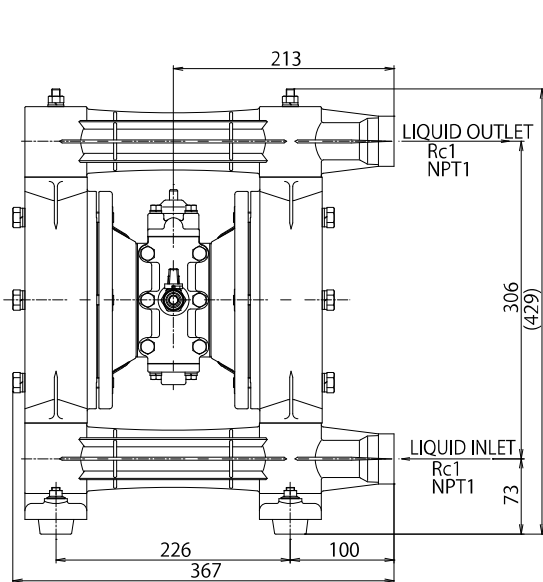
■ NDP-25BS □



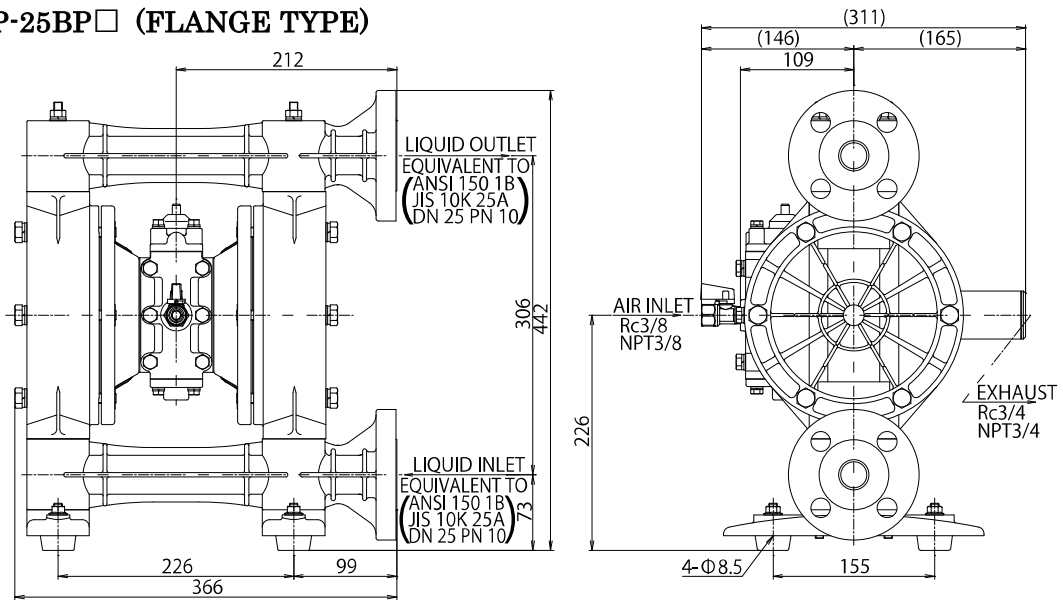
■ NDP-25BF □



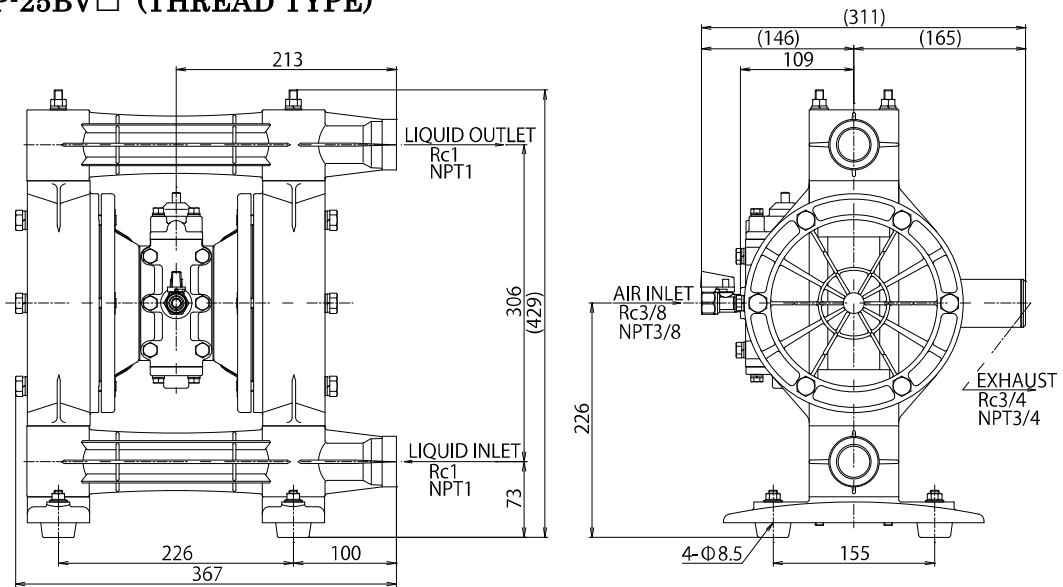
■ NDP-25BP □ (THREAD TYPE)



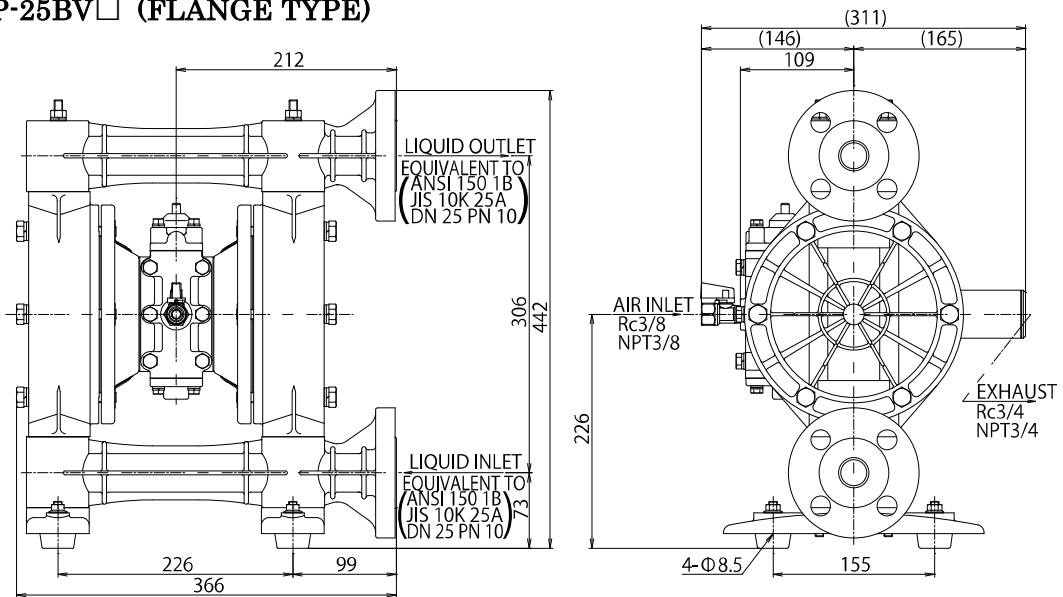
■ NDP-25BP □ (FLANGE TYPE)



■ NDP-25BV □ (THREAD TYPE)

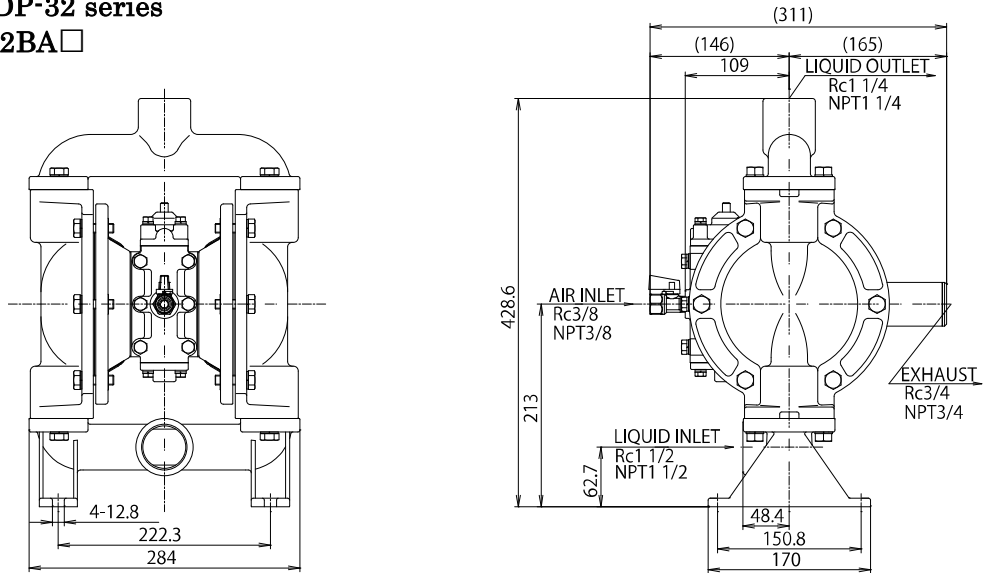


■ NDP-25BV □ (FLANGE TYPE)



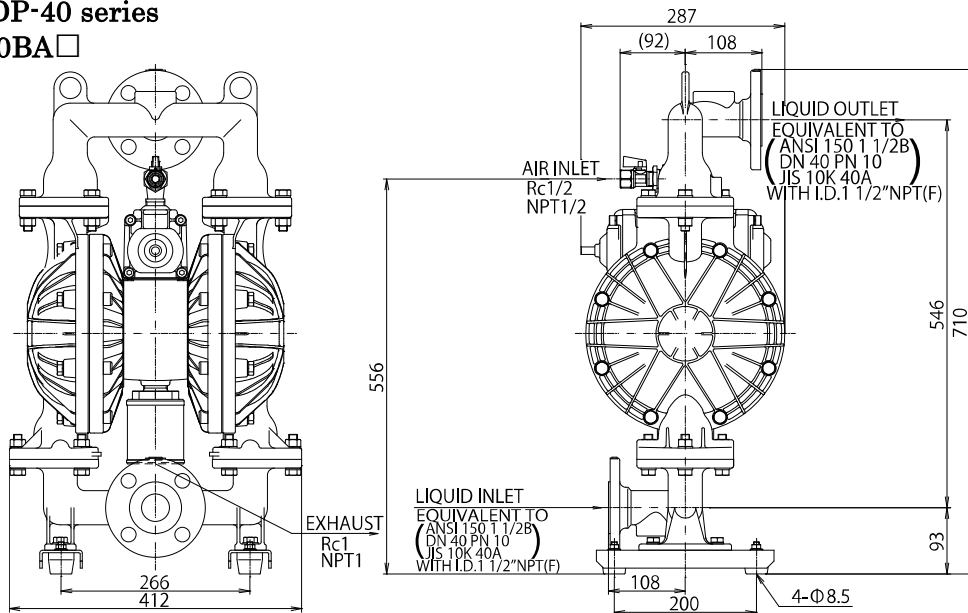
10.2.3 NDP-32 series

■ NDP-32BA □

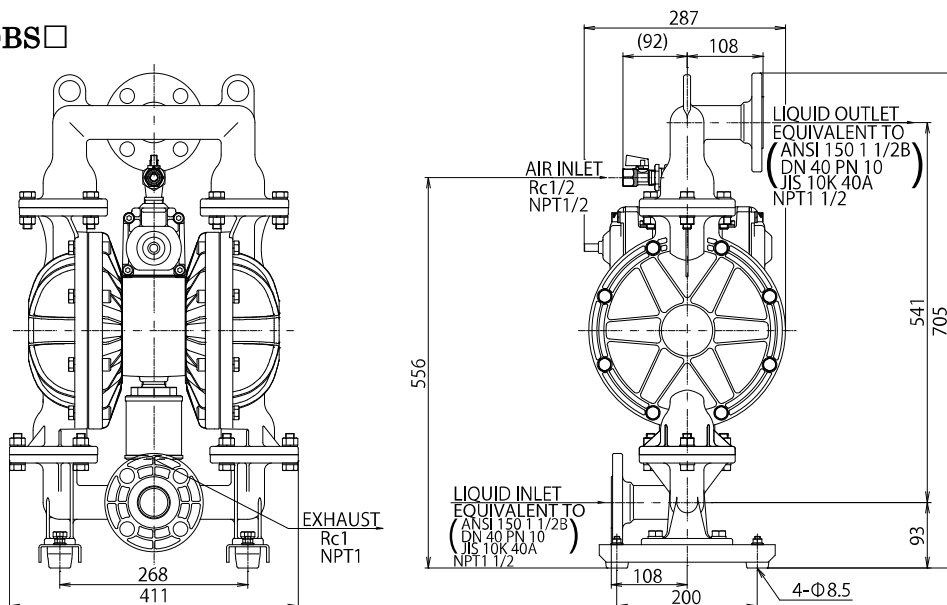


10.2.4 NDP-40 series

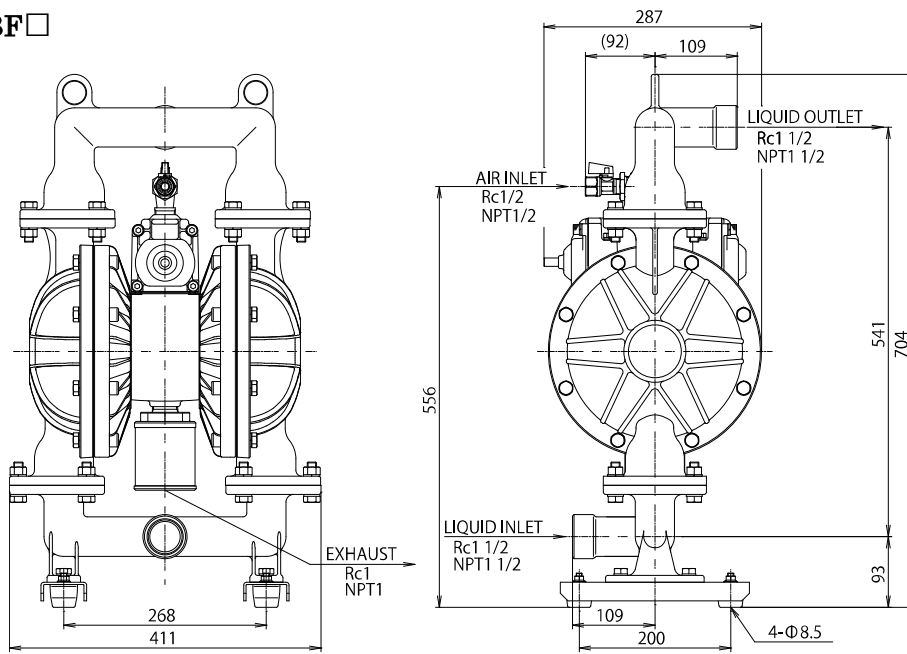
■ NDP-40BA □



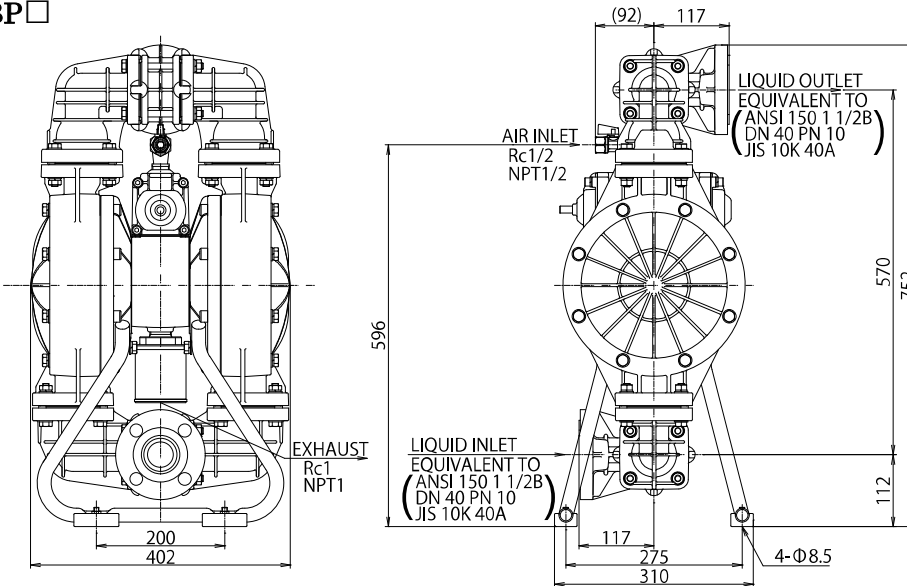
■ NDP-40BS □



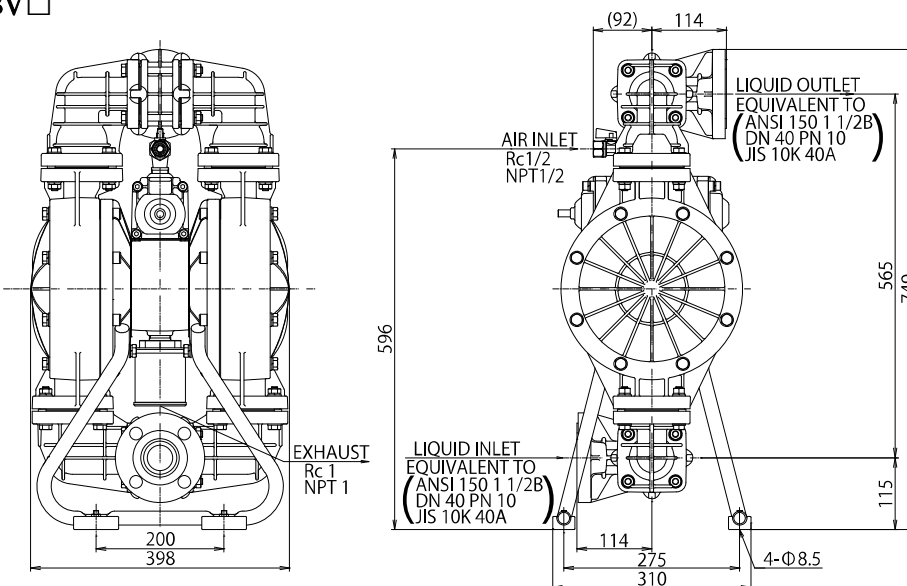
■ NDP-40BF □



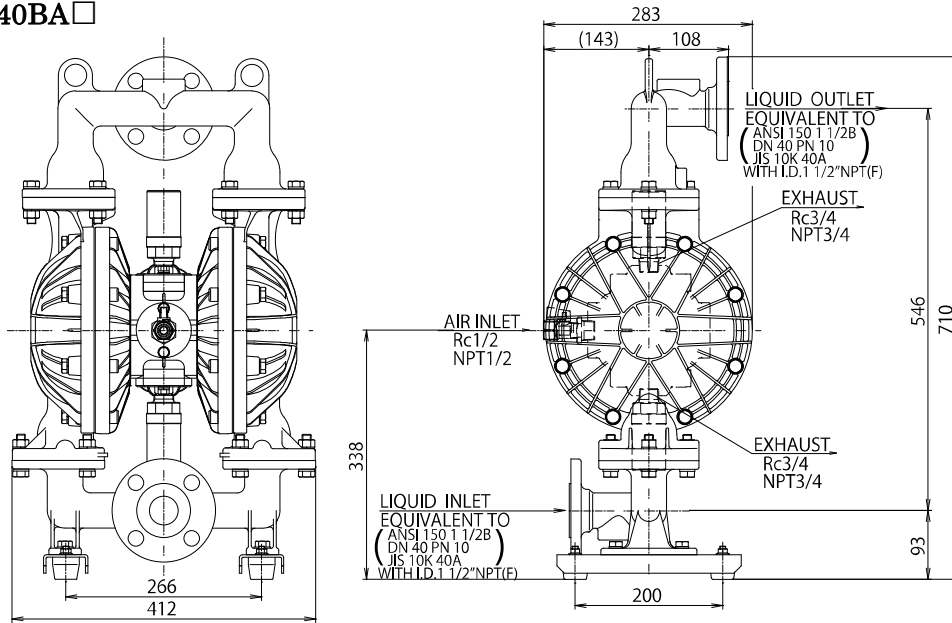
■ NDP-40BP □



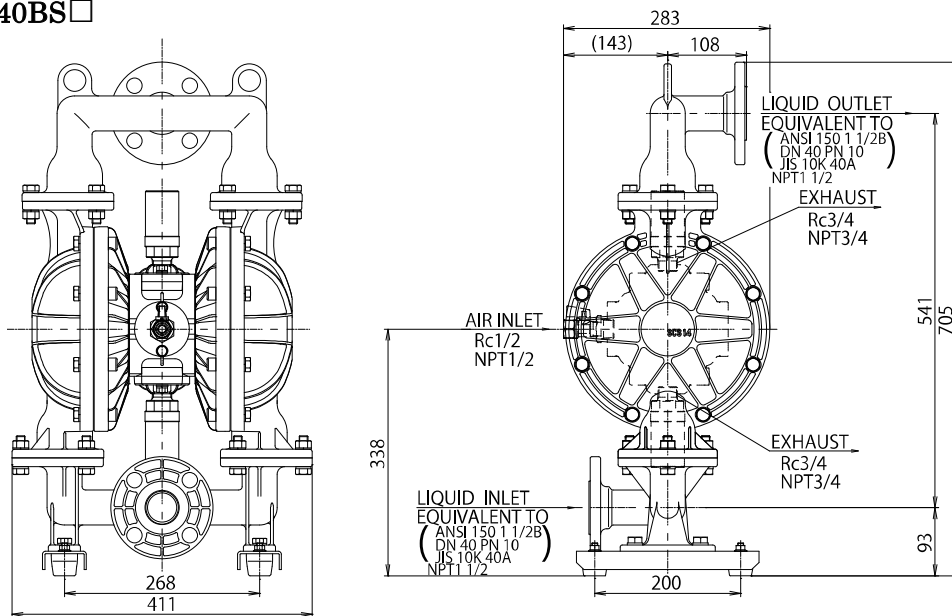
■ NDP-40BV □



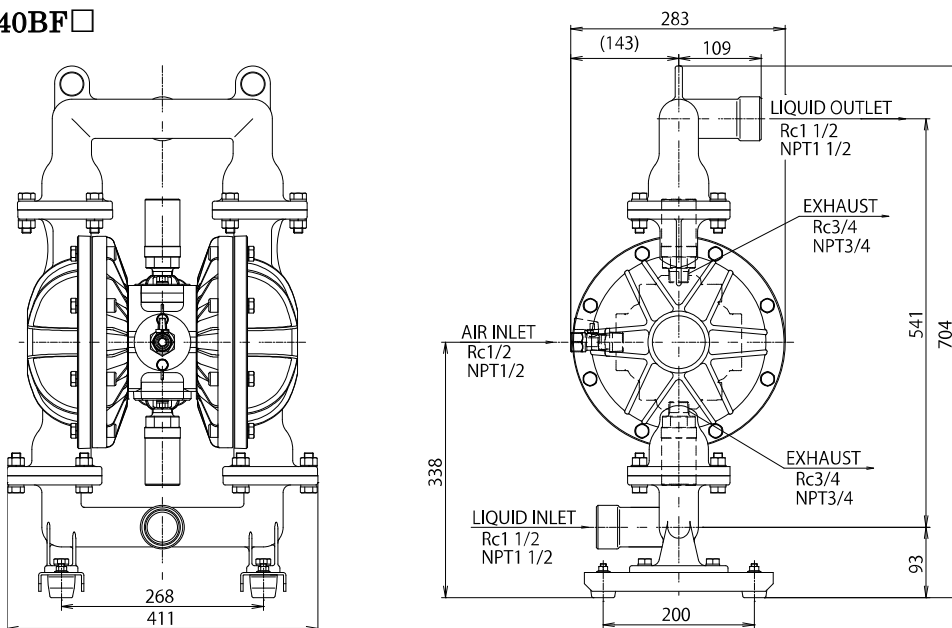
■ NDP-H40BA □



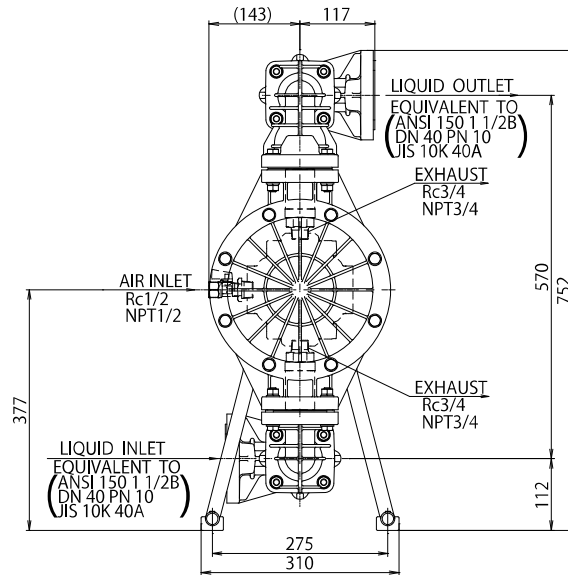
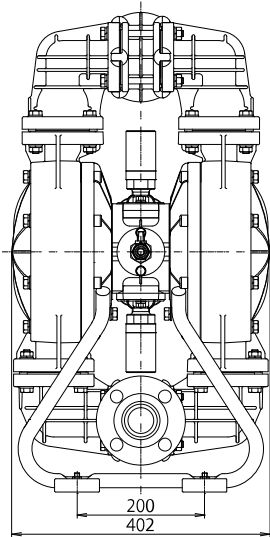
■ NDP-H40BS □



■ NDP-H40BF □

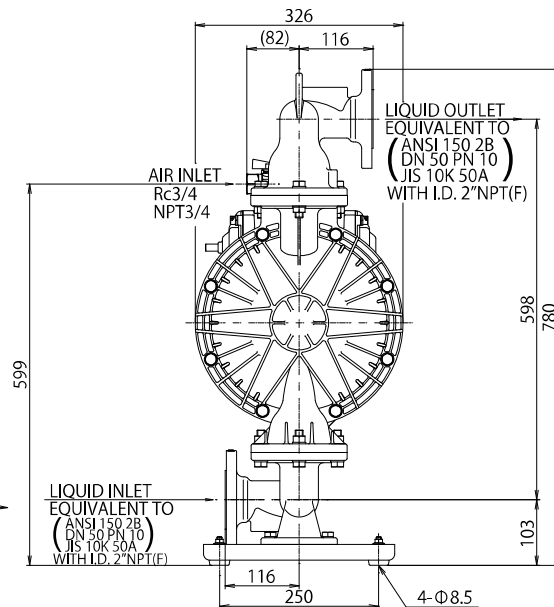
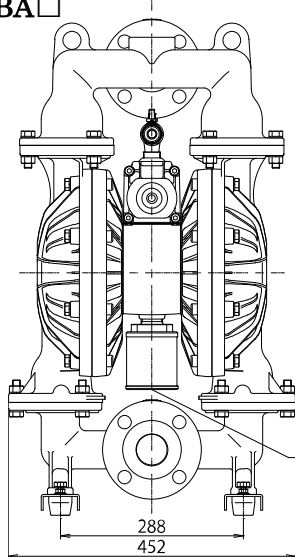


■ NDP-H40BP □

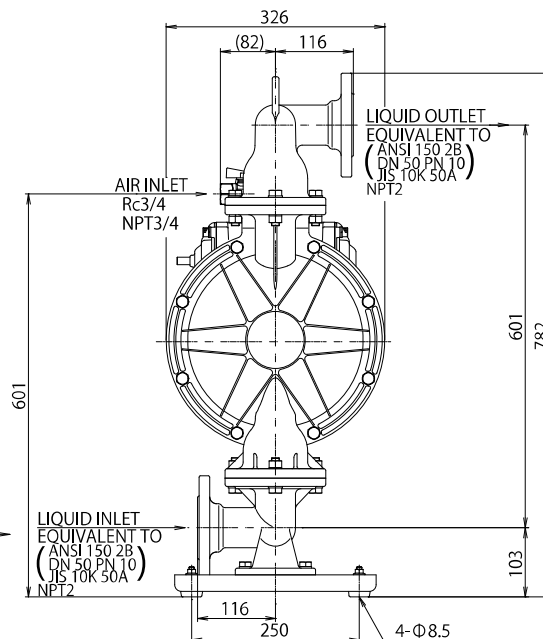
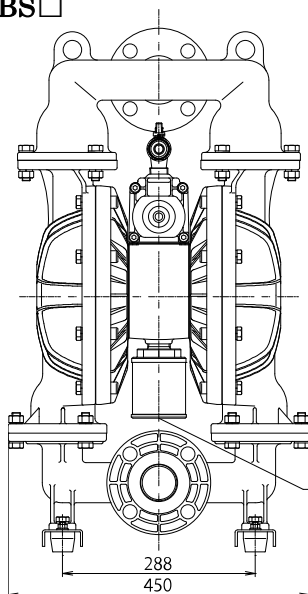


10.2.5 NDP-50 series

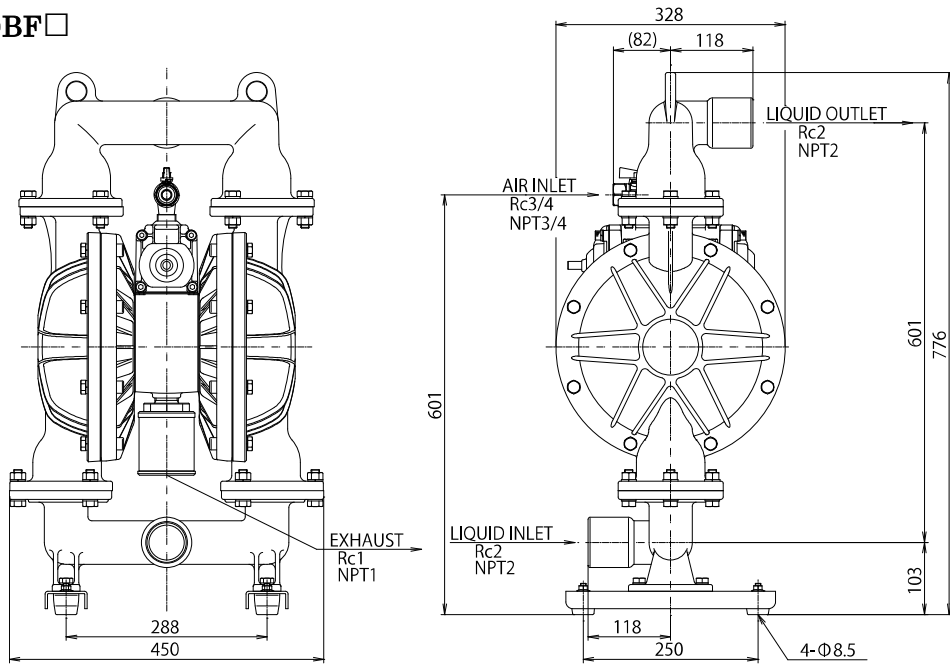
■ NDP-50BA □



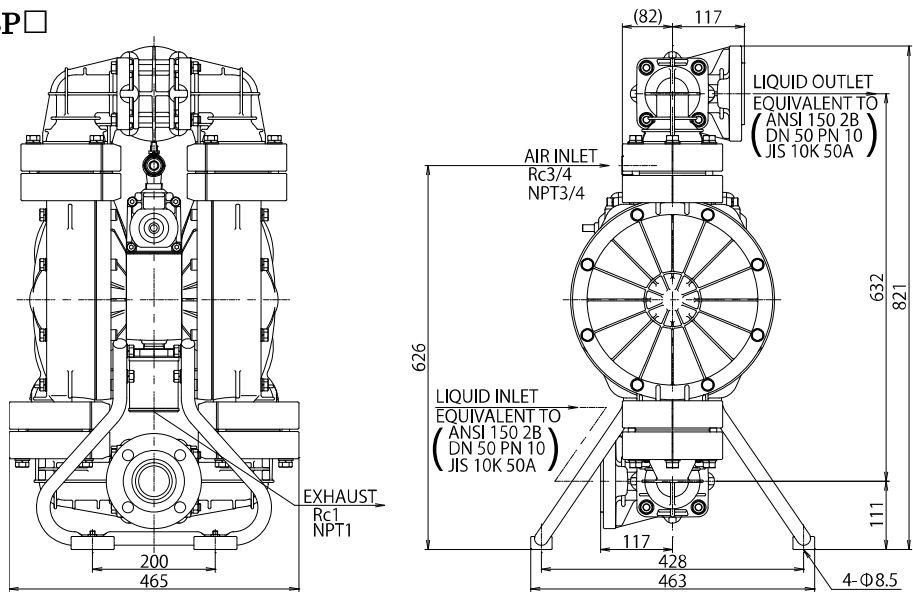
■ NDP-50BS □



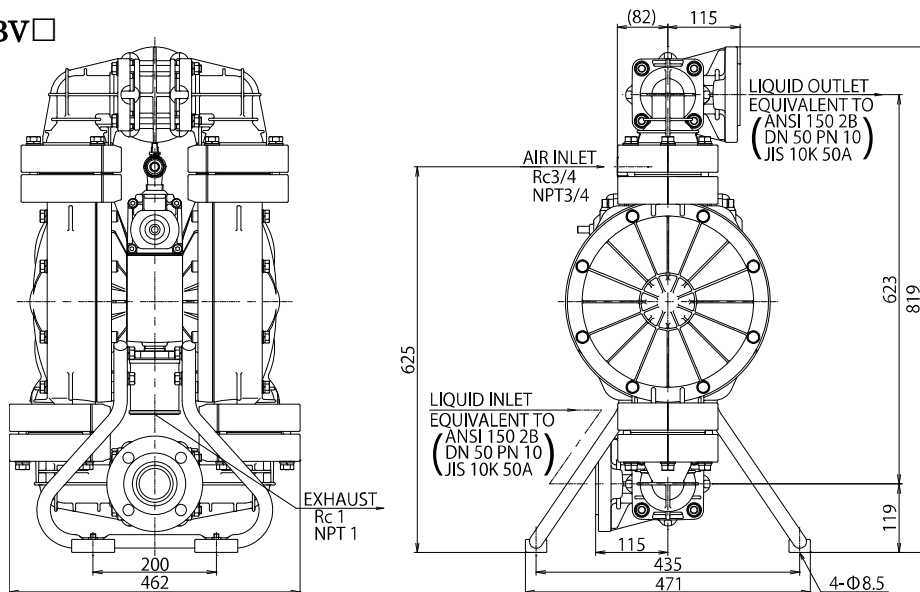
■ NDP-50BF □



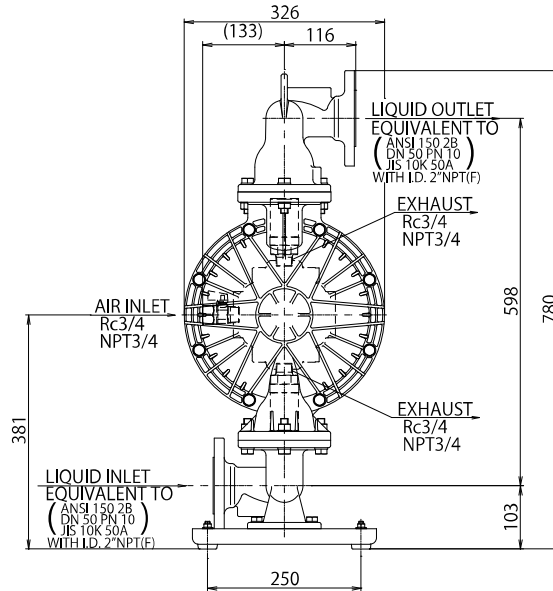
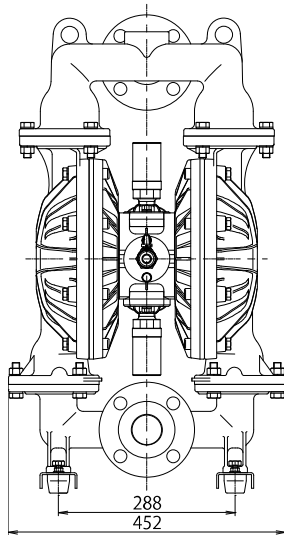
■ NDP-50BP □



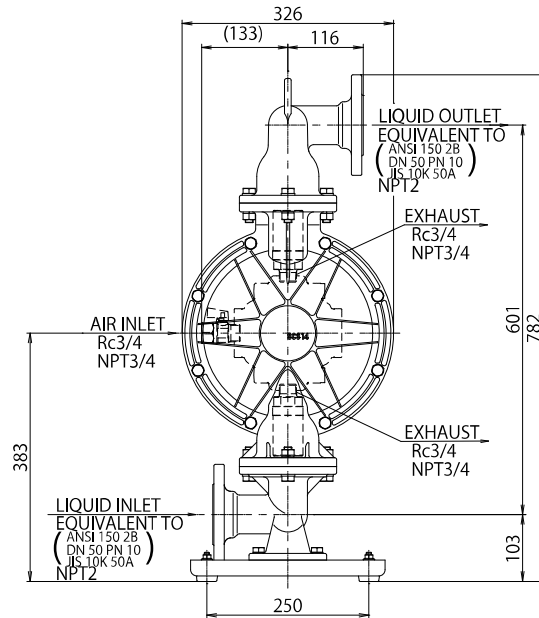
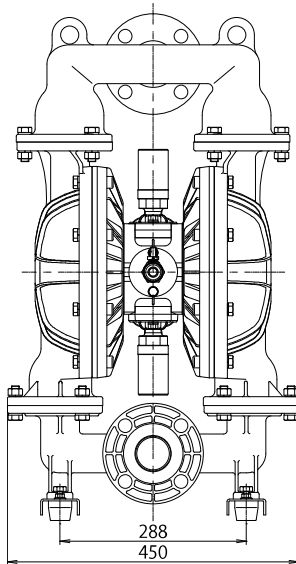
■ NDP-50BV □



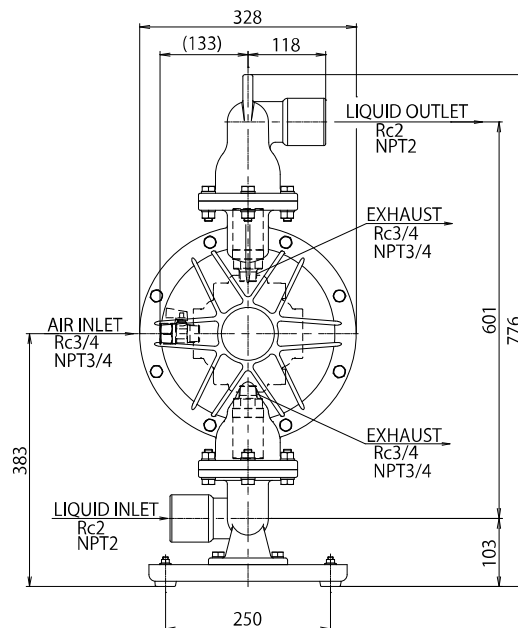
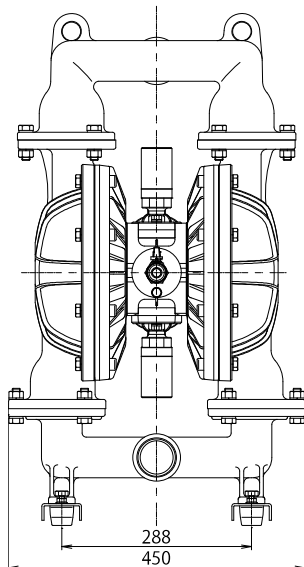
■ NDP-H50BA □



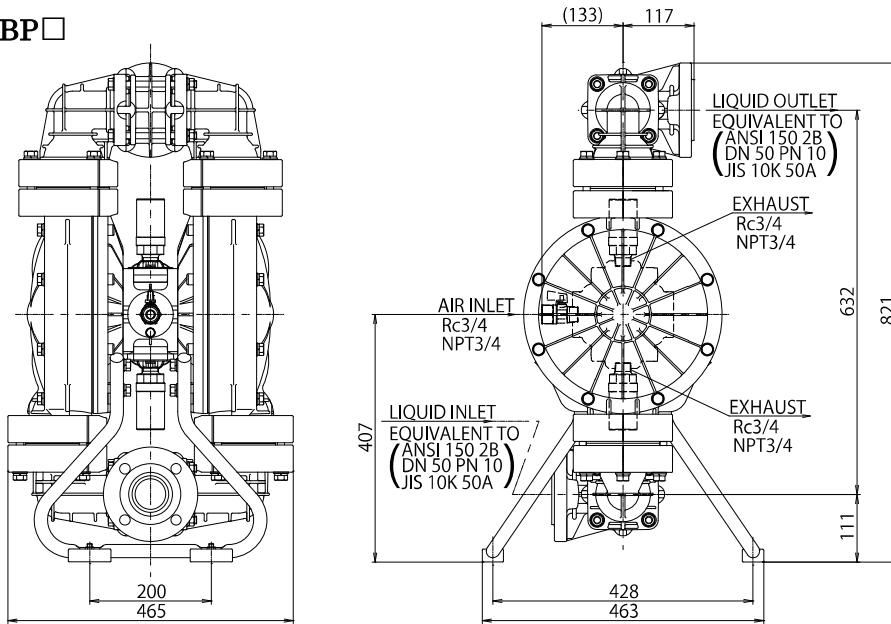
■ NDP-H50BS □



■ NDP-H50BF □

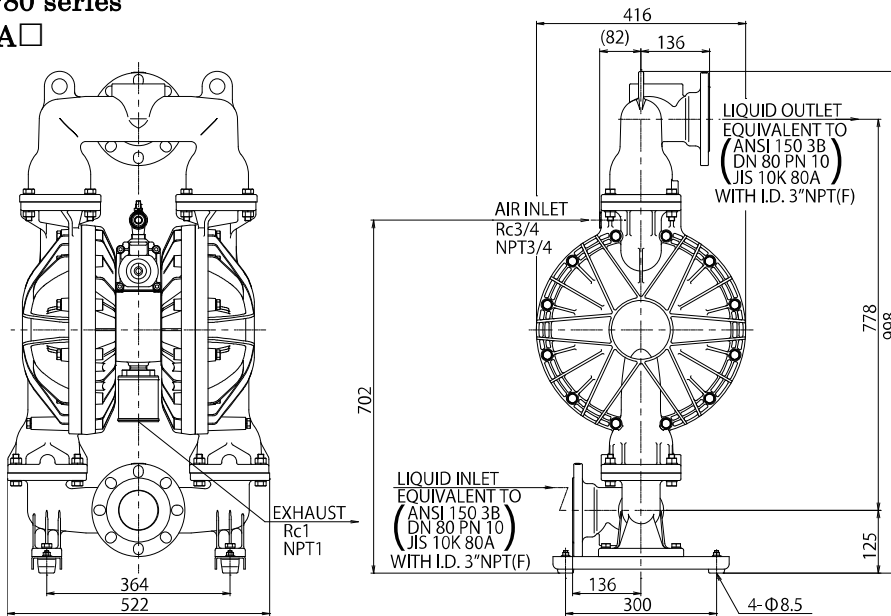


■ NDP-H50BP □

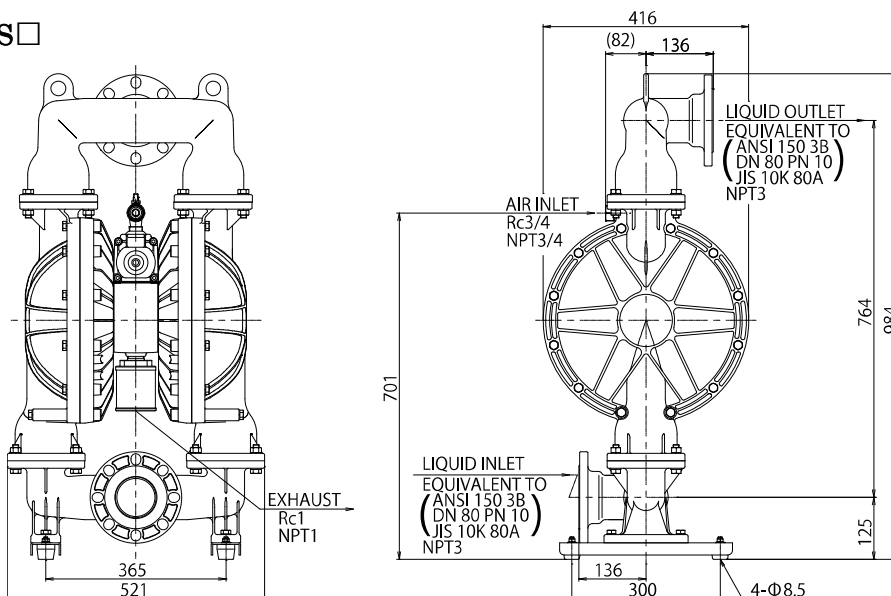


10.2.6 NDP-80 series

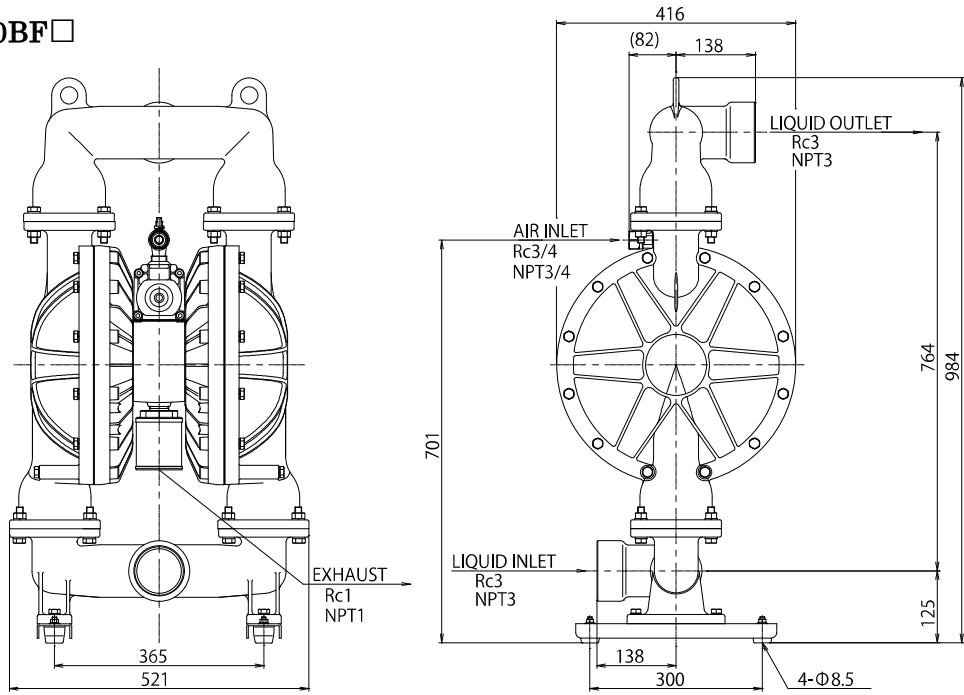
■ NDP-80BA □



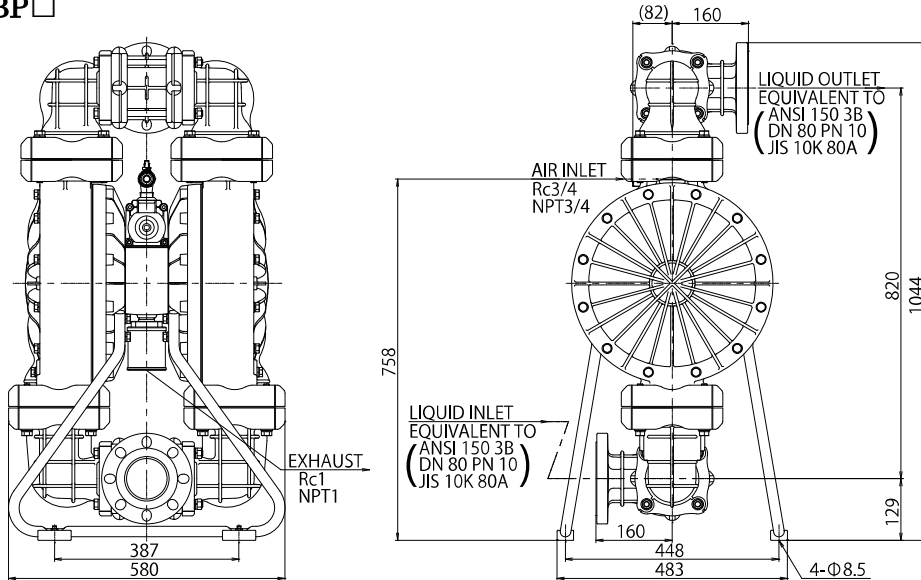
■ NDP-80BS □



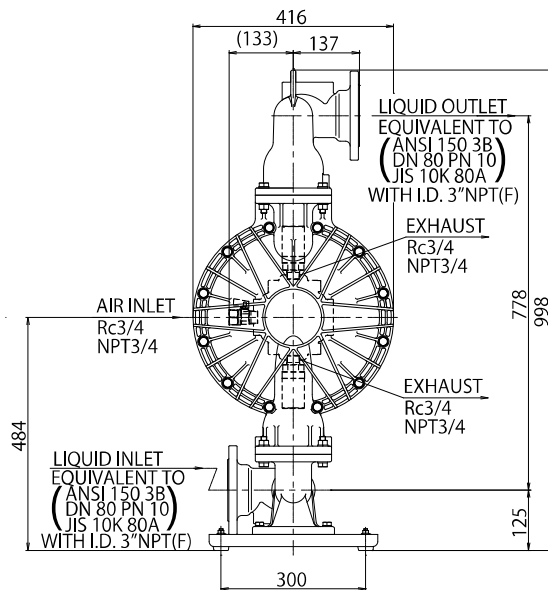
■ NDP-80BF □



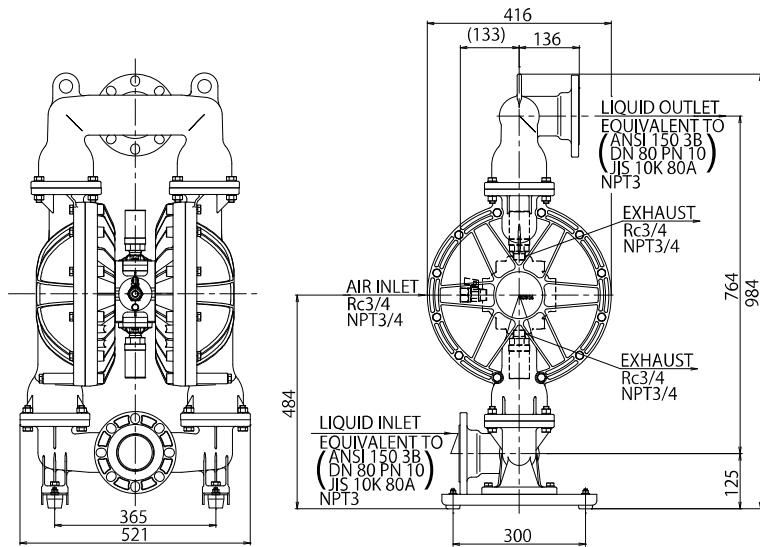
■ NDP-80BP □



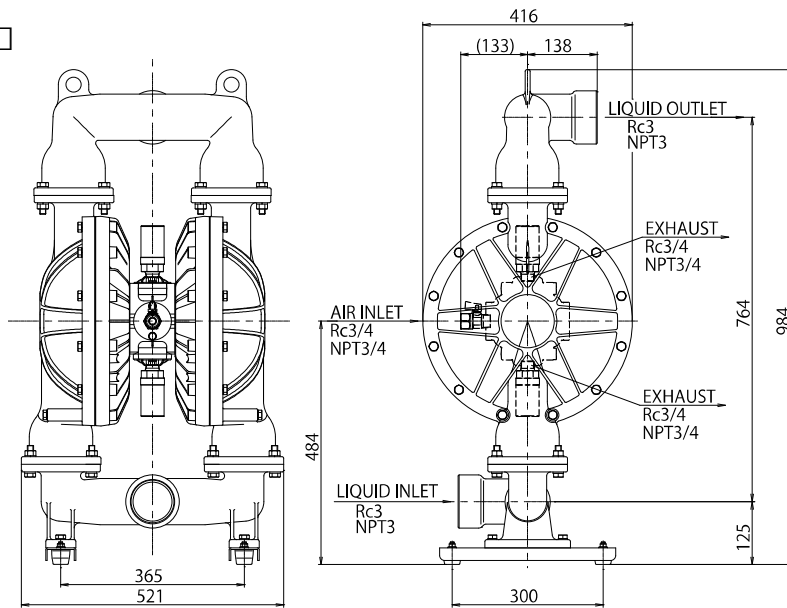
■ NDP-H80BA □



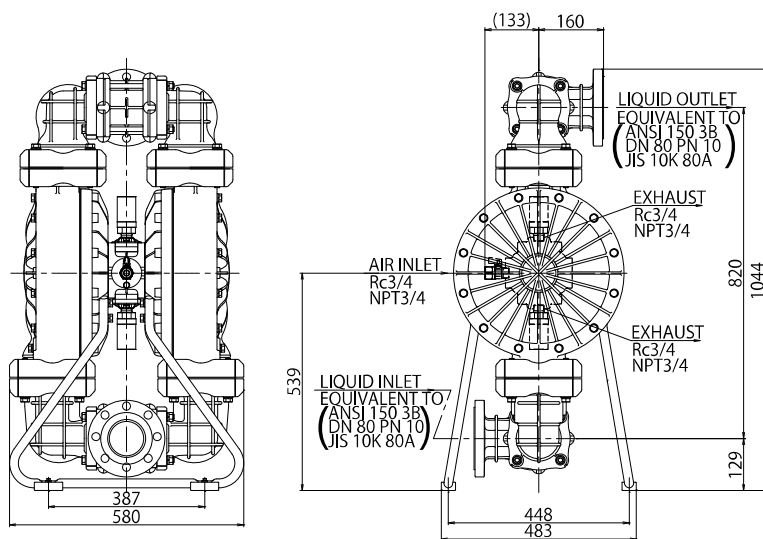
■ NDP-H80BS □



■ NDP-H80BF □



■ NDP-H80BP □



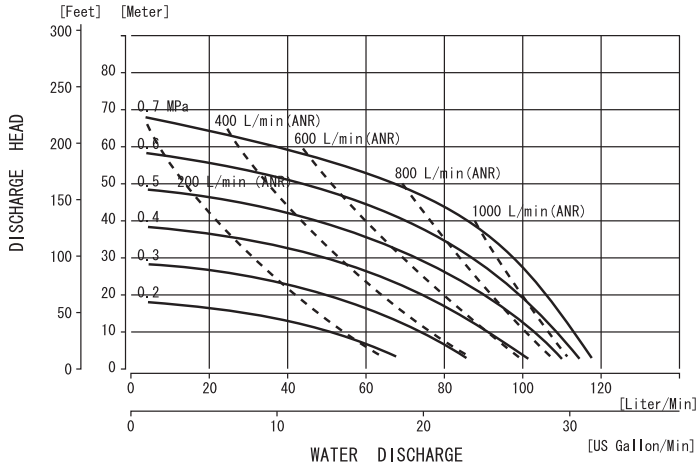
⚠ CAUTION

- Due to improvement or modification of products, dimensions may change without notice. Please contact your distributor or our regional office for detailed information.

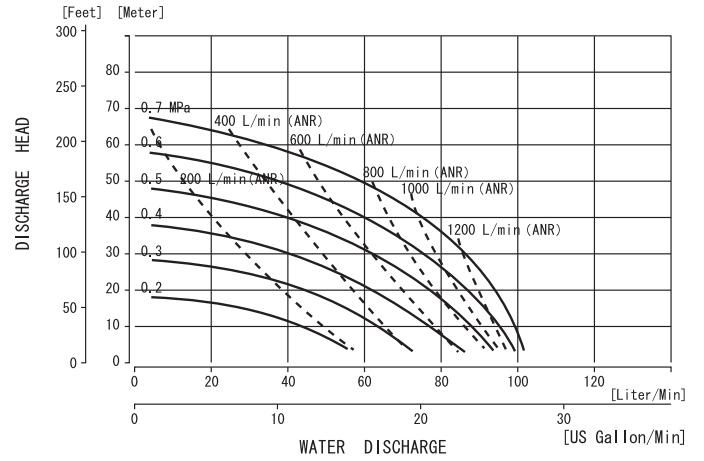
10.3 Performance curve

10.3.1 NDP-20 series

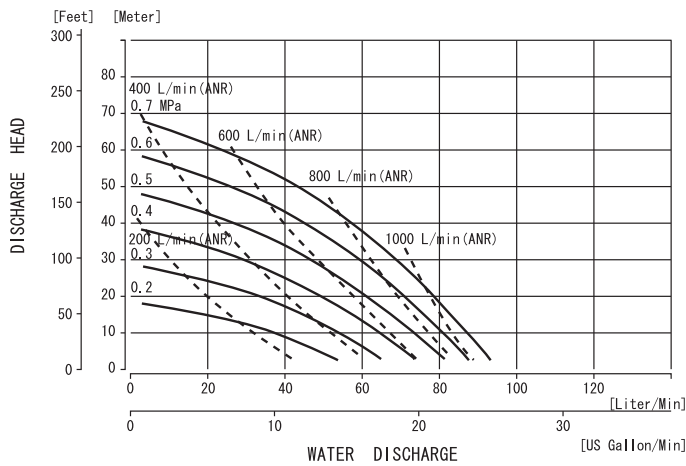
■ NDP-20BA □/BS □/BP □



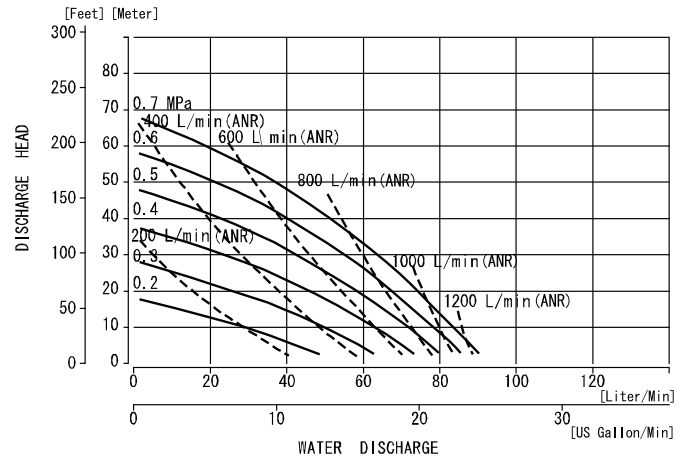
■ NDP-20BAT/BST/BPT



■ NDP-20BA □-D

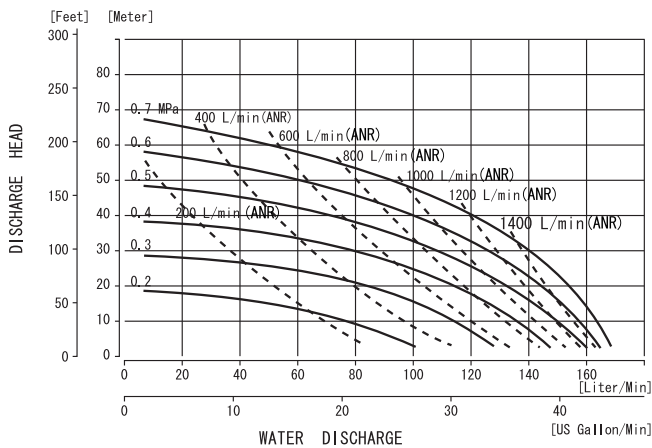


■ NDP-20BAT-D

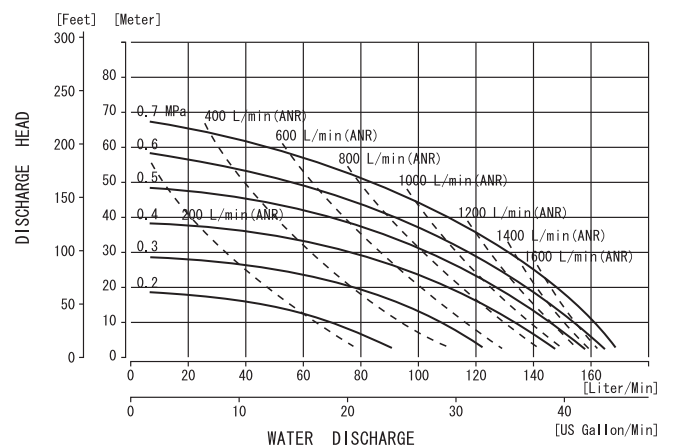


10.3.2 NDP-25 series

■ NDP-25BA □/BS □/BF □/BP □/BV □

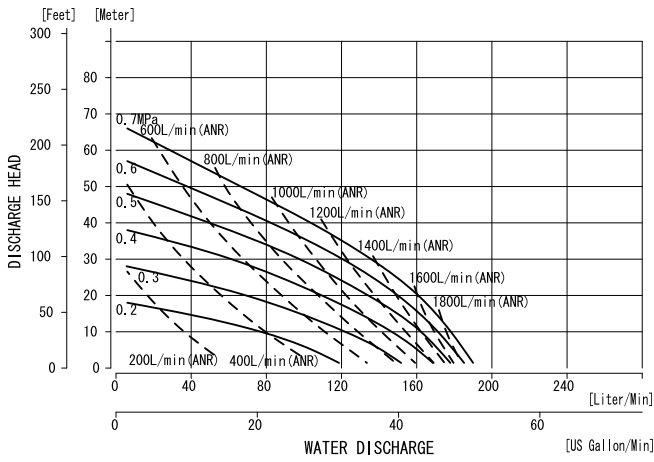


■ NDP-25BAT/BST/BFT/BPT/BVT

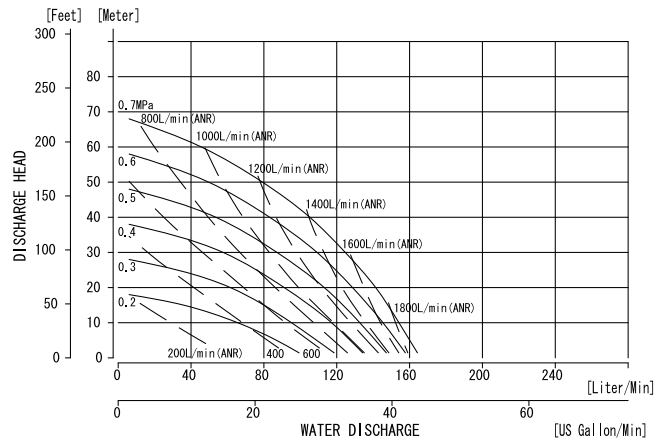


10.3.3 NDP-32 series

■ NDP-32BAN

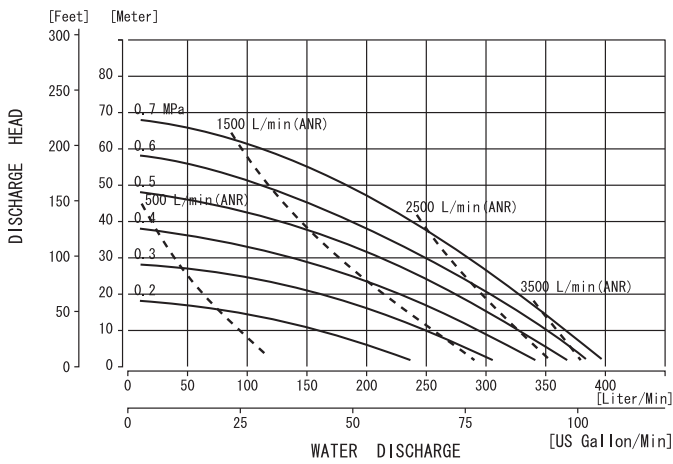


■ NDP-32BAT

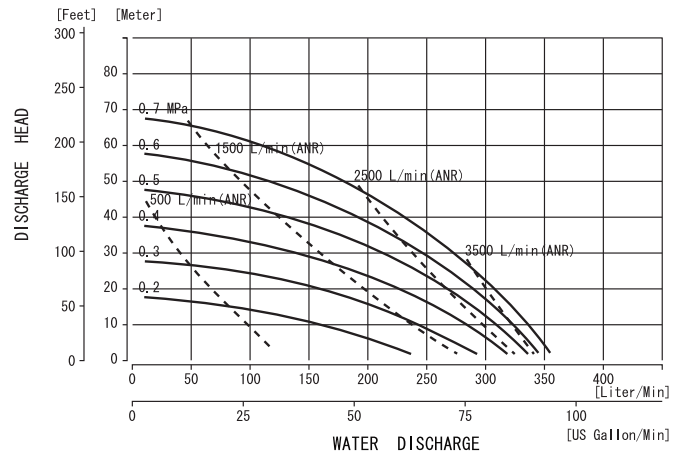


10.3.4 NDP-40 series

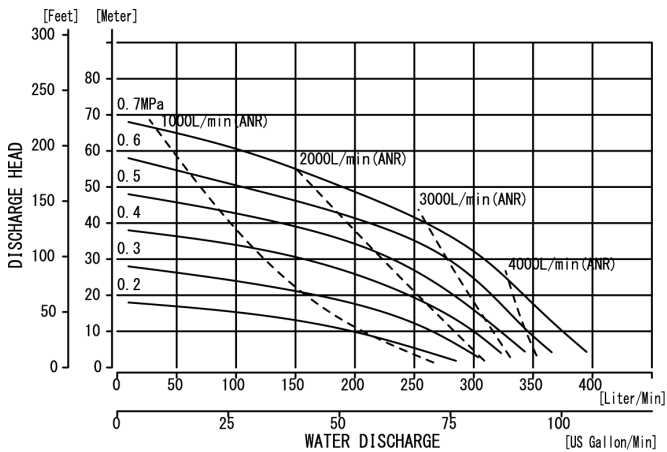
■ NDP-40BA □/BS □/BF □



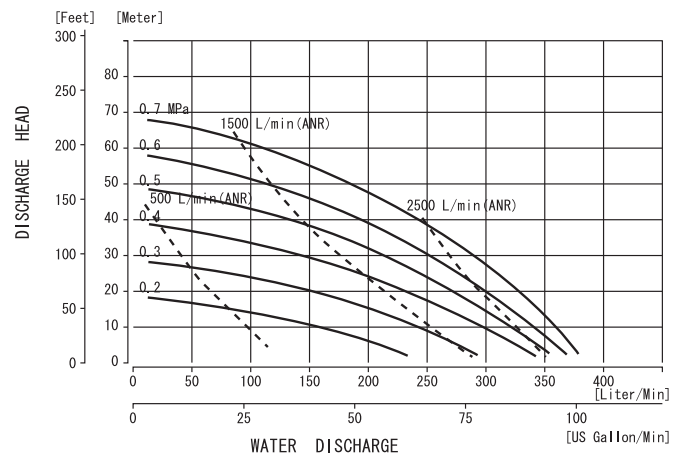
■ NDP-40BAT/BST/BFT



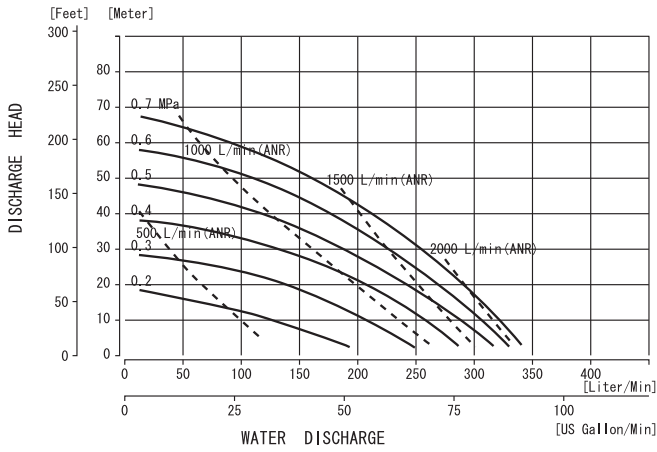
■ NDP-40BAW/BSW/BFW



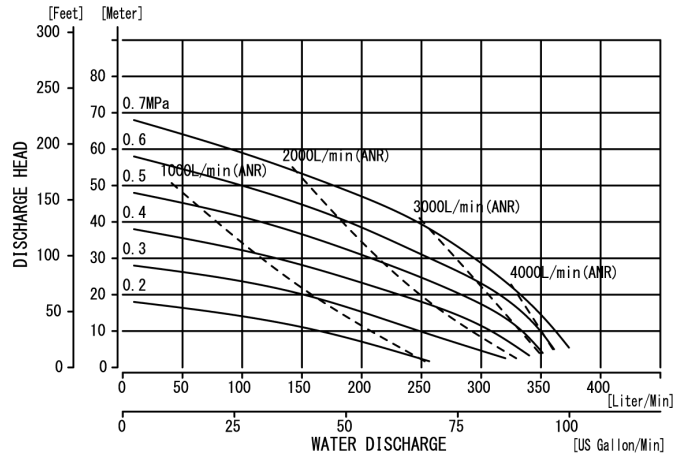
■ NDP-40BP □/BV □



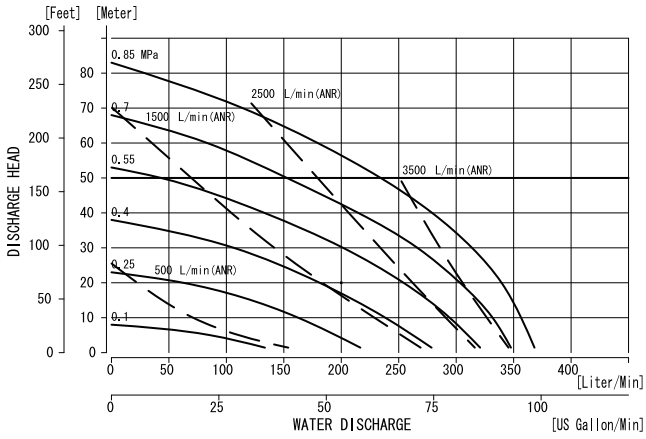
NDP-40BPT/BVT



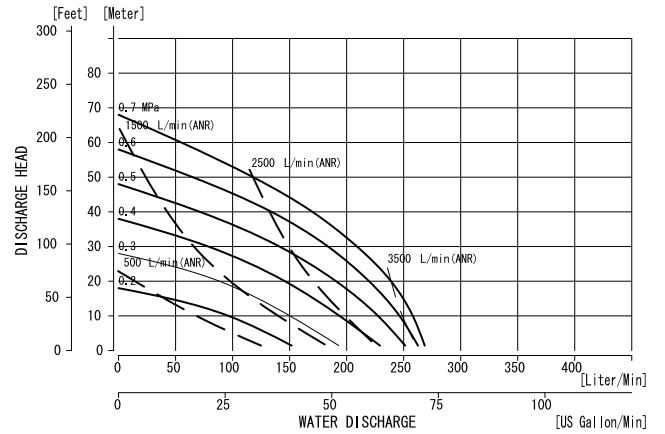
NDP-40BPW/BVW



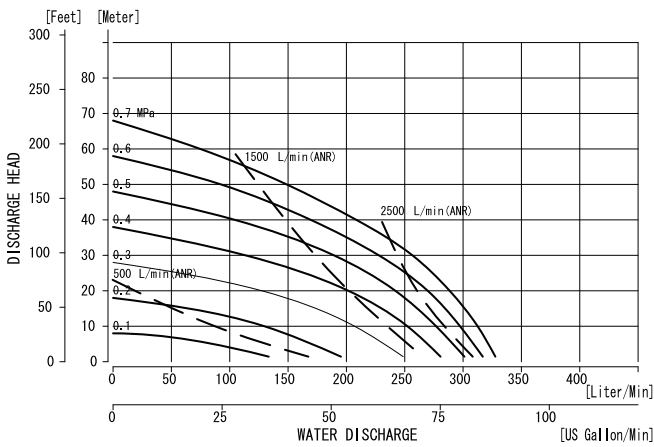
NDP-H40BA□/BS□/BF□



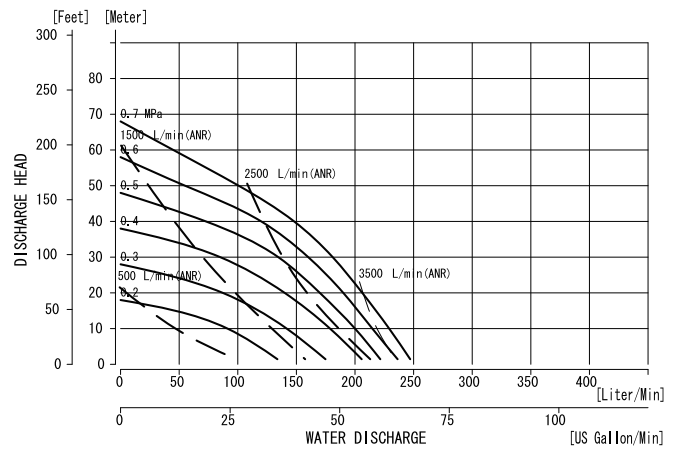
NDP-H40BAT/BST/BFT



NDP-H40BP□

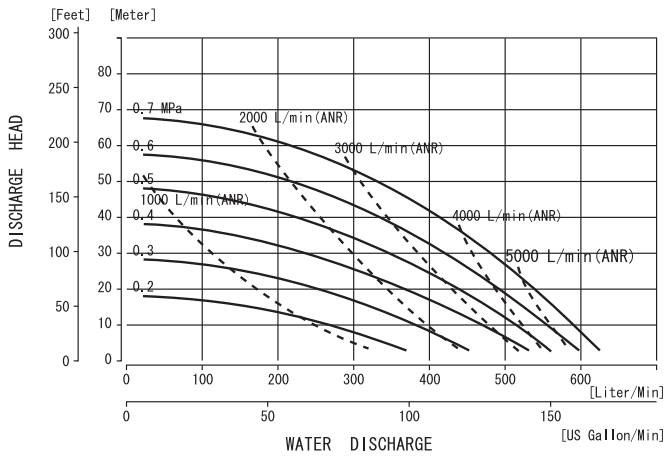


NDP-H40BPT

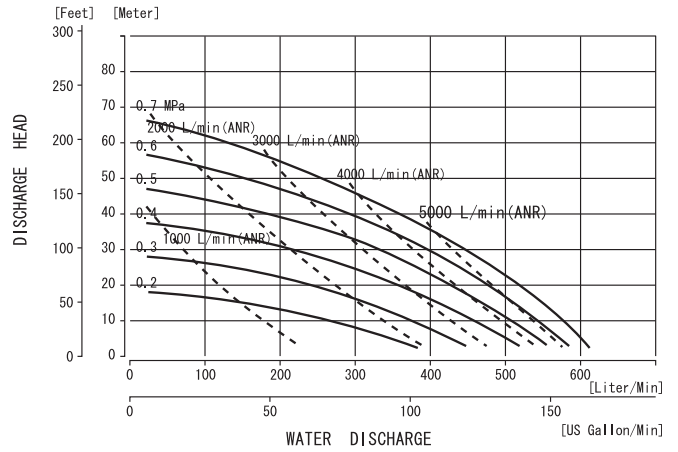


10.3.5 NDP-50 series

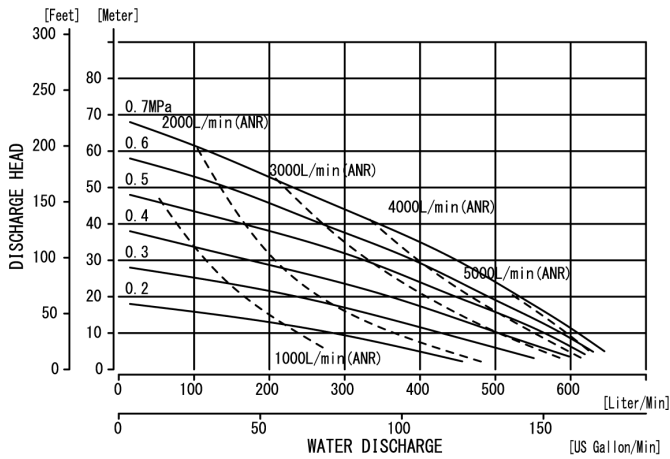
■ NDP-50BA □/BS □/BF □



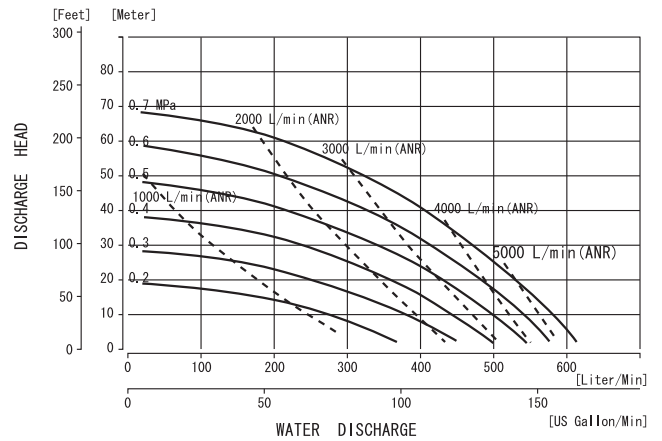
■ NDP-50BAT/BST/BFT



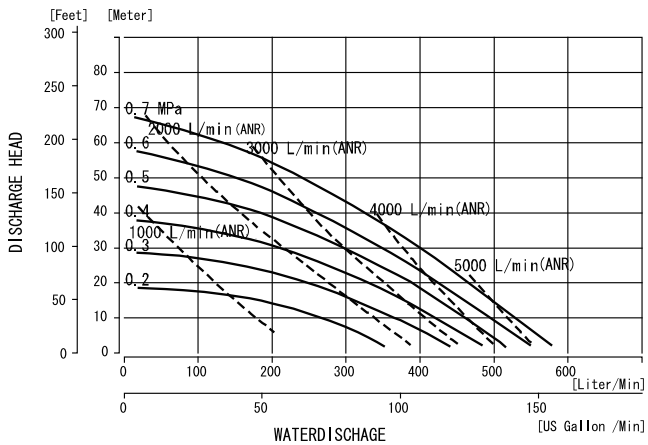
■ NDP-50BAW/BSW/BFW



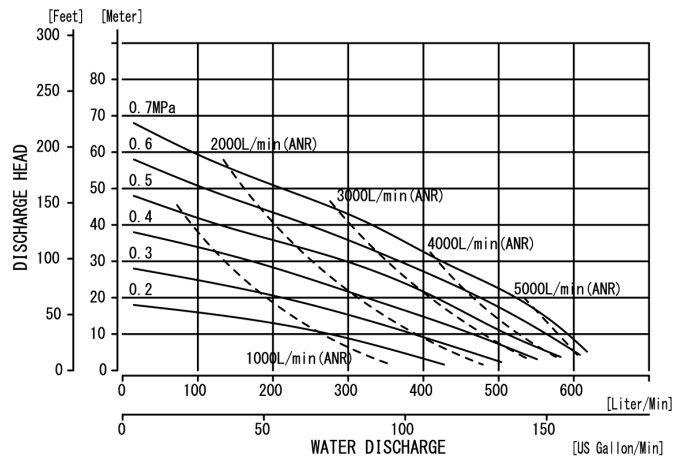
■ NDP-50BP □/BV □



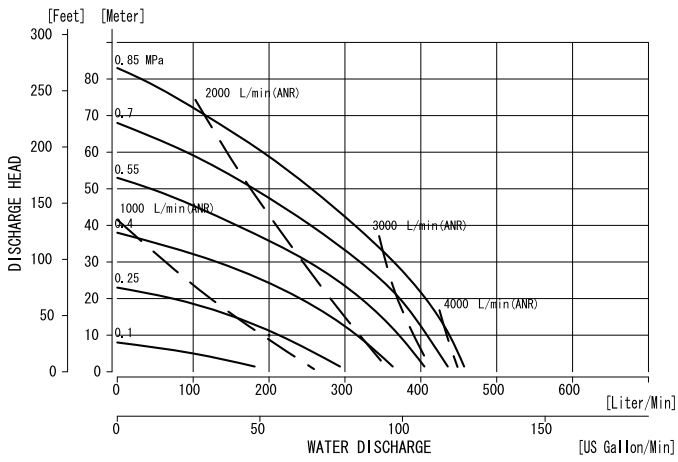
■ NDP-50BPT/BVT



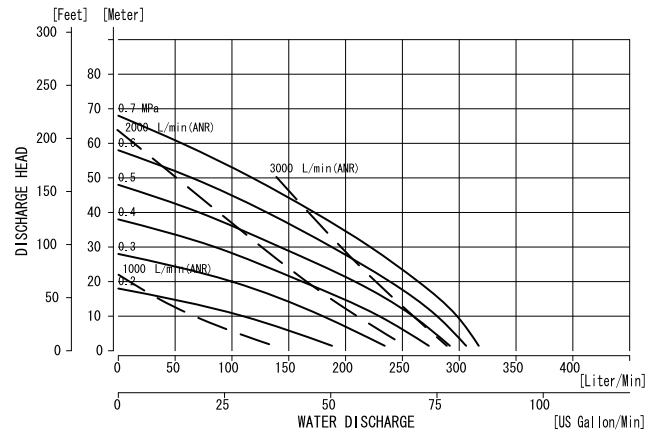
■ NDP-50BPW/BVW



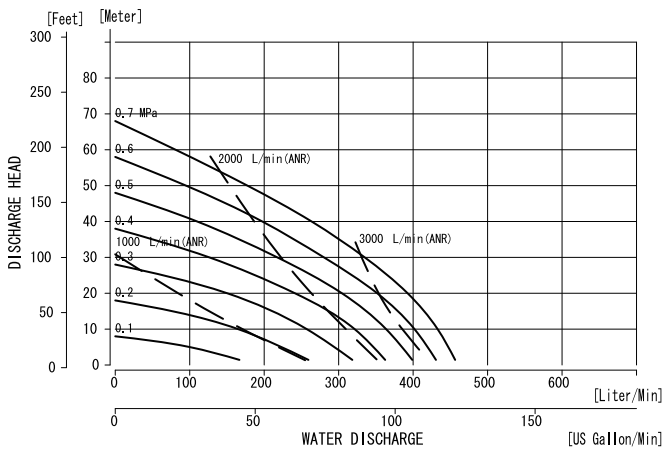
■ NDP-H50BA □/BS □/BF □



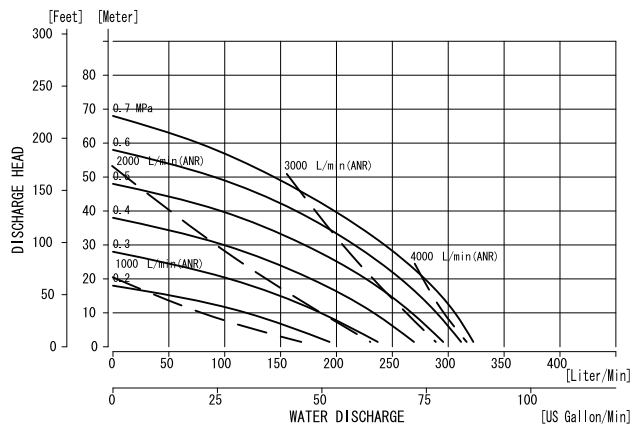
■ NDP-H50BAT/BST/BFT



■ NDP-H50BP □

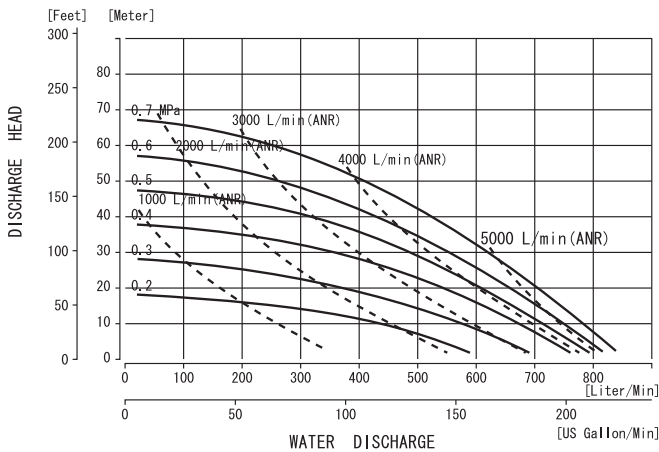


■ NDP-H50BPT

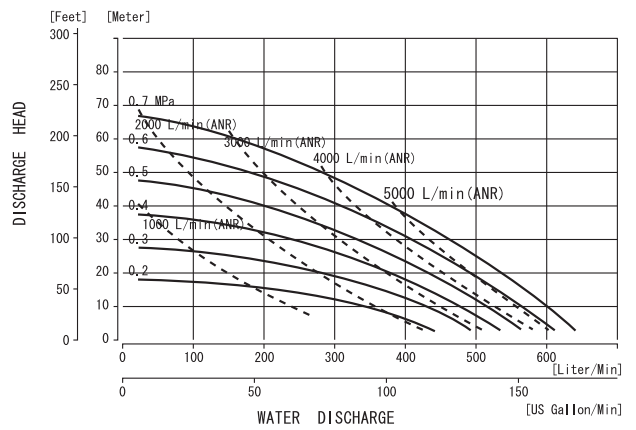


10.3.6 NDP-80 series

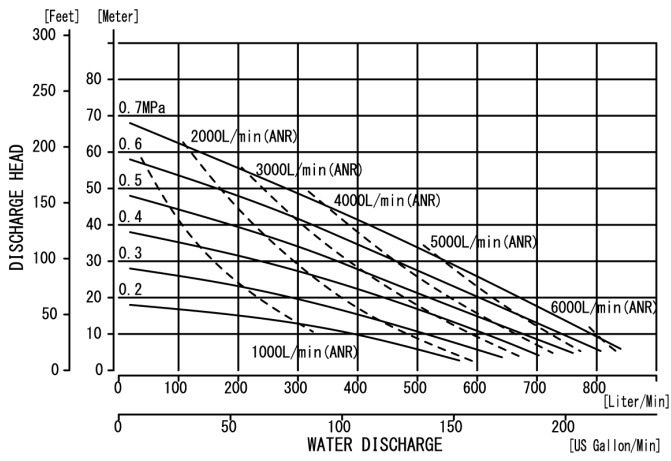
■ NDP-80BA □/BS □/BF



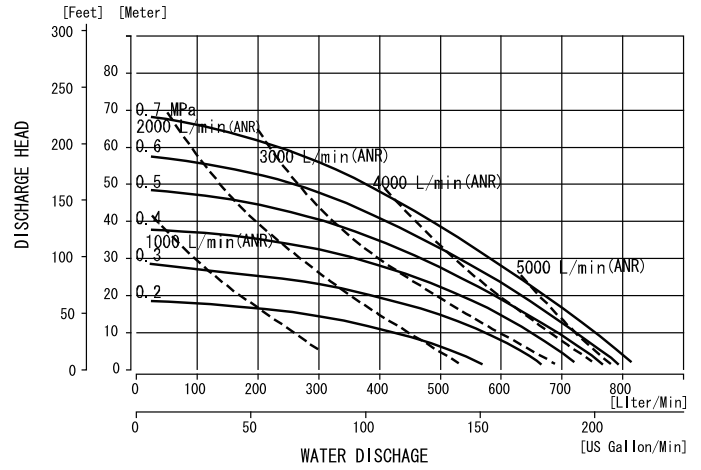
■ NDP-80BAT/BST/BFT



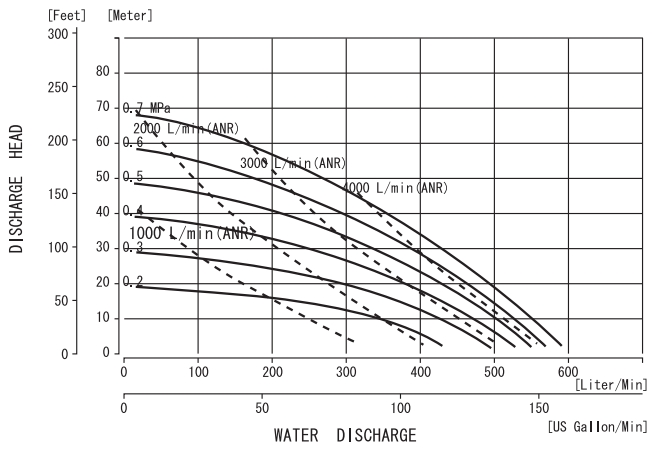
■ NDP-80BAW/BSW/BFW



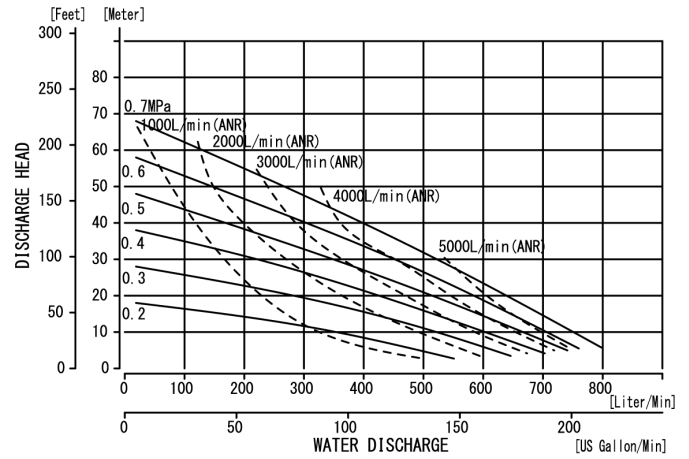
■ NDP-80BP□



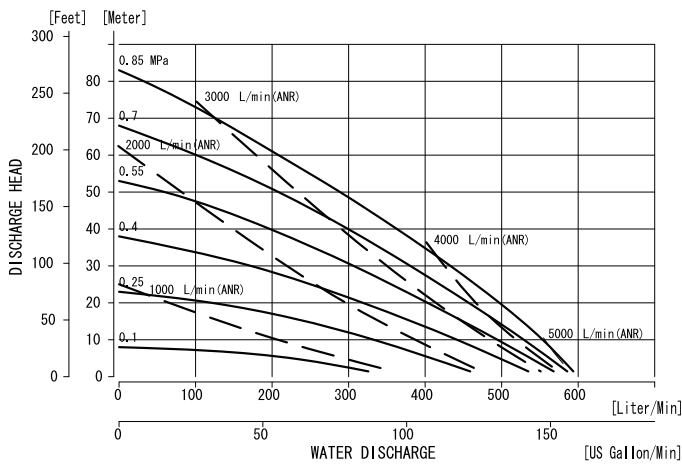
■ NDP-80BPT



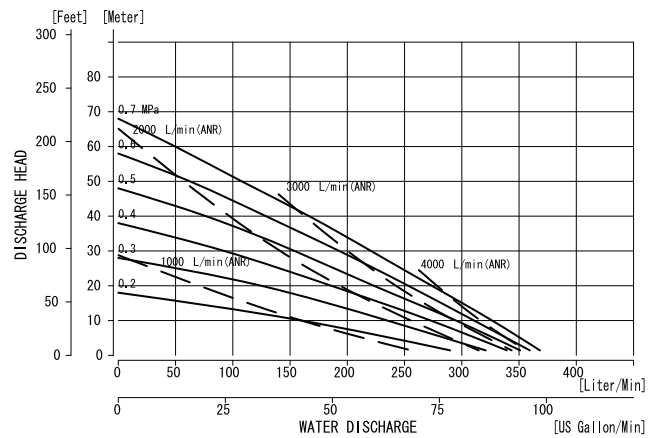
■ NDP-80BPW



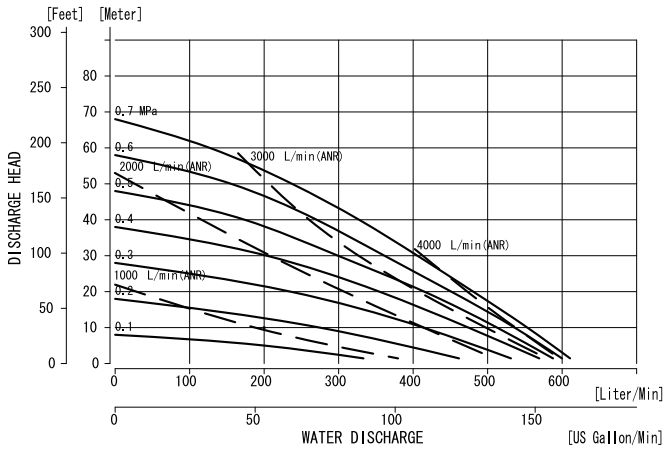
■ NDP-H80BA□/BS□/BF□



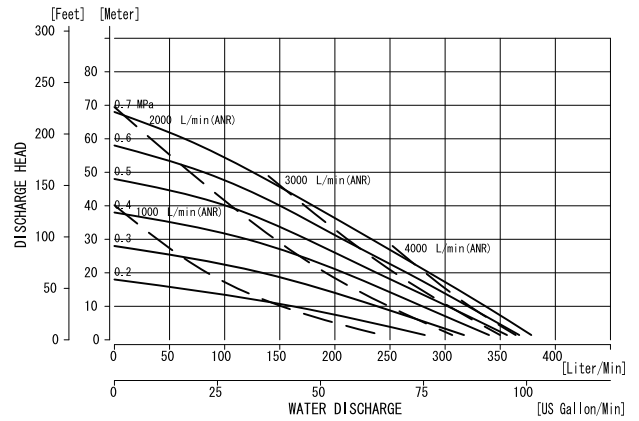
■ NDP-H80BAT/BST/BFT



■ NDP-H80BP □



■ NDP-H80BPT



NOTE: Method of measurement of performance curve

Measuring instruments and procedure

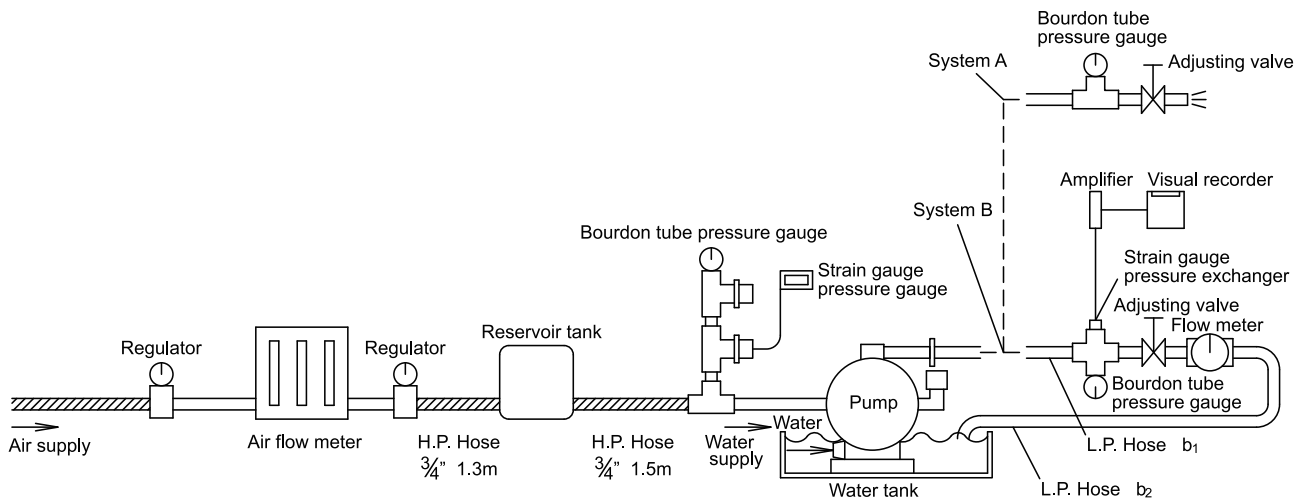


Fig.10.1

▪ Conditions

- a) Supplied air pressure: Maintaining preset pressure
- b) Liquid pumped: Fresh water
- c) Temperature: Ambient
- d) Condition of suction: Flat suction 0 meter head
- e) Measuring system: System A Converting weight of discharged fluid to volume.
System B By liquid meter

11. Limited warranty

If an abnormality occurs during normal operation in accordance with the operating instructions and other operating cautions within the warranty period (12 months after date of purchase) that can be attributed to a manufacturing defect, the defective parts of this product will be serviced or the product will be replaced free of charge. However, this warranty will not cover compensation for incidental damage or any malfunction listed below.

1. Warranty period

This warranty will be valid for a period of 12 months after the date of purchase.

2. Warranty

If, during the warranty period, any of the material of the genuine parts of this product or the workmanship of this product is found defective, and is so verified by our company, the servicing cost will be fully born by our company.

3. Exclusion

Even during the warranty period, this warranty does not cover the following.

- (1) Malfunction arising from use of parts other than manufacturer-specified genuine parts
- (2) Malfunction arising from misuse or operating errors, or lack of storage or maintenance care
- (3) Malfunction arising from use with a fluid that may cause corrosion, inflation or dissolution of the component parts of the product
- (4) Irregularity arising from repair made by other than by our firm, our regional office, dealer or authorized service personnel
- (5) Malfunction arising from modification of the product by other than authorized service personnel
- (6) Wear and tear of parts that must be regularly replaced in the course of normal operation, such as diaphragms, center disk, valve seats, balls/flat valve, air switch sleeve valves, pilot valve, O-rings and gasket.
- (7) Malfunction and/or damage due to use with incorrect voltage.
- (8) Malfunction and/or damage due to transportation, moving or drop page of the product after purchase
- (9) Malfunction and/or damage due to fire, earthquake, flood or other force majeure
- (10) Malfunction arising from use of compressed air that contains impurities or excessive moisture or use of gases or fluids other than the specified compressed air
- (11) Malfunction arising from use of excessively abrasive material or of inadequate grease.


Furthermore, this warranty does not cover the rubber parts, or other parts used in this product and its accessories, which are subject to wear in normal operation.

- hoses
- packings
- cords

4. Parts

Parts for this product will be kept available for 5 years after discontinuation of production. Once 5 years have elapsed after close of production, availability of parts for this product cannot be guaranteed.

12. Warning symbols

<p>BEWARE: HIGH TEMPERATURE</p> 	<p>ELECTRIC SHOCK</p> 	<p>POISON</p> 
<p>FLAMMABLE</p> 	<p>CORROSION</p> 	<p>EXPLOSION</p> 
<p>General warnings, cautions and danger notifications</p> 	<p>FIRE STRICTLY PROHIBITED</p> 	

YAMADA CORPORATION

INTERNATIONAL DEPARTMENT

1-1-3, Minami-Magome, Ota ku, Tokyo, 143-8504, Japan

PHONE : +81-(0)3-3777-0241

FAX : +81-(0)3-3777-0584

E-mail : intl@yamadacorp.co.jp

Web : www.yamadacorp.co.jp

YAMADA (THAILAND) CO., LTD

41/79 Moo 6, Bangcha-long, Bangplee, Sumutprakarn 10540, Thailand

PHONE : +66-(0)2-130-0990

FAX : +66-(0)2-130-0993

E-mail : sales@yamada-th.com