

INSTRUCTION

Cycle Counter

NMC-ANS	MODEL No.803413
NMC-ANF	MODEL No.804542
NMC-ANH	MODEL No.804847



WARNING

Prior to operating this pump, be sure to read this operation manual for safety. After reading the manual, please keep it on hand for future reference.

1. Preface

The Cycle Counter is a pressure type counter that is driven by air-pressure signals.

This counter is intended to be a measure of proper time for replacing diaphragms or pre-maintenance control by counting a number of pump rotations.

2. Precautions on Use

- When supply air pressure to the pump is 0.2-0.7MPa, counter normal operating condition depends on supply air pressure, pump discharge pressure(cycle rate), tube length, and pump models. (Set the supply air pressure to 0.2-0.7MPa for Mechanical series pumps and 0.2-0.5MPa for DP-10/20F series pumps.)
 - * The length of a nylon tube can be shorten to make the counter more responsive. However, do not make a tube longer than 1m. Please contact us for details.
- The counter has an eight-digit display.
- Applicable temperature range is 0-60°C.
- Use oil-free compressed air.
- The counter cannot be reset.
- Any other use conditions are pursuant to the pump service conditions.

[Reference Data]

Normal operation range at one-meter length of tubing:

Supply pressure	Exhaust pressure
0.2MPa	0.05MPa or more
0.3MPa	0.1MPa or more
0.4MPa	0.15MPa or more
0.5MPa	0.25MPa or more
0.7MPa	0.55MPa or more

3. Installation to Diaphragm Pump

- When connecting the counter to our diaphragm pump, the pump body, such as an air chamber, needs to be altered to make an attachment hole. The position and size of a hole depends on a pump model.
Please contact us for more details. (Additional machining service fee will be charged.)
- A pump with a pre-drilled hole is also available. Please contact us for more details.

4. Limited Warranty

1) Warranty period:

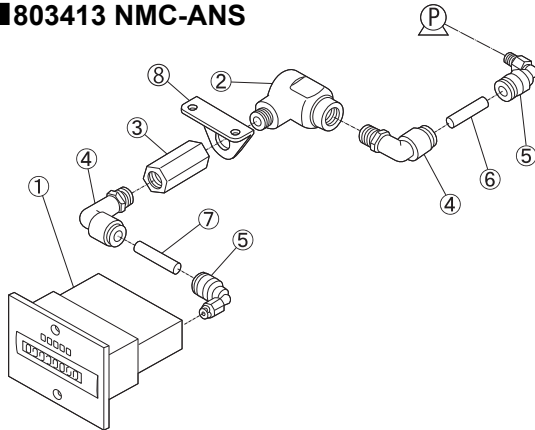
This warranty will be valid for a period of 12 months after the date of purchase.

2) Warranty:

If, during the warranty period, any of the material of the genuine parts of this product or the workmanship of this product is found defective, and is so verified by our company, the servicing cost will be fully born by our company. This limited warranty only applies to the cycle counter.

5. Exploded View and Parts List

■803413 NMC-ANS

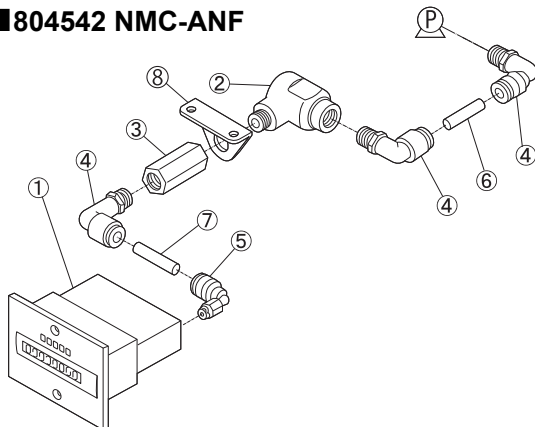


NO.	Parts No.	Description	Q'ty
1	684003	Counter	1
2	684004	Quick Exhaust Valve	1
3	684005	Socket	1
4	684006	Elbow Fitting 1/8	2
5	684007	Elbow Fitting M5	2
6	570124	Nylon Tube Φ4×Φ6×1000	1
7	570124	Nylon Tube Φ4×Φ6×35	1
8	685079	Bracket	1

[Applicable Pumps]

DP-10BA_, BS_, BP_ series
 NDP-20BA_, BS_, BP_ series
 NDP-25BA_, BS_, BF_, BP_, BV_ series
 NDP-40/50/80BA_, BS_, BF_, BP_ series

■804542 NMC-ANF

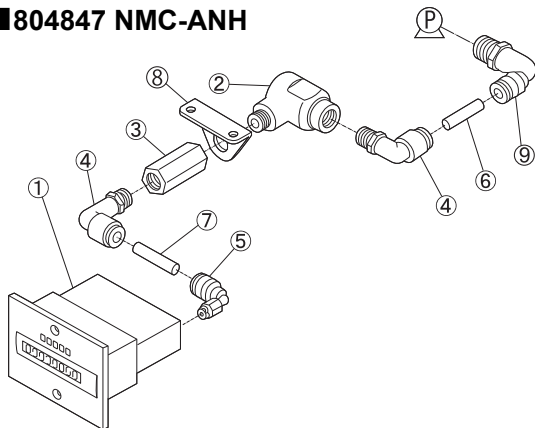


NO.	Parts No.	Description	Q'ty
1	684003	Counter	1
2	684004	Quick Exhaust Valve	1
3	684005	Socket	1
4	684006	Elbow Fitting 1/8	3
5	684007	Elbow Fitting M5	1
6	570124	Nylon Tube Φ4×Φ6×1000	1
7	570124	Nylon Tube Φ4×Φ6×35	1
8	685079	Bracket	1

[Applicable Pumps]

NDP-15BA_, BS_, FP_, FV_ series
 DP-10/20/25/38F series

■804847 NMC-ANH



NO.	Parts No.	Description	Q'ty
1	684003	Counter	1
2	684004	Quick Exhaust Valve	1
3	684005	Socket	1
4	684006	Elbow Fitting 1/8	2
5	684007	Elbow Fitting M5	1
6	570124	Nylon Tube Φ4×Φ6×1000	1
7	570124	Nylon Tube Φ4×Φ6×35	1
8	685079	Bracket	1
9	684550	Elbow Fitting 3/8	1

[Applicable Pumps]

NDP-H40/H50/H80BA_, BS_, BF_, BP_ series

Manufactured by

YAMADA CORPORATION

INTERNATIONAL DEPARTMENT

No.1-3, 1-Chome, Minami-Magome, Ohta-ku, Tokyo, 143-8504, Japan

PHONE : +81-(0)3-3777-0241

FAX : +81-(0)3-3777-0584

201712 NDP266U