

Air Operated Double Diaphragm Pump

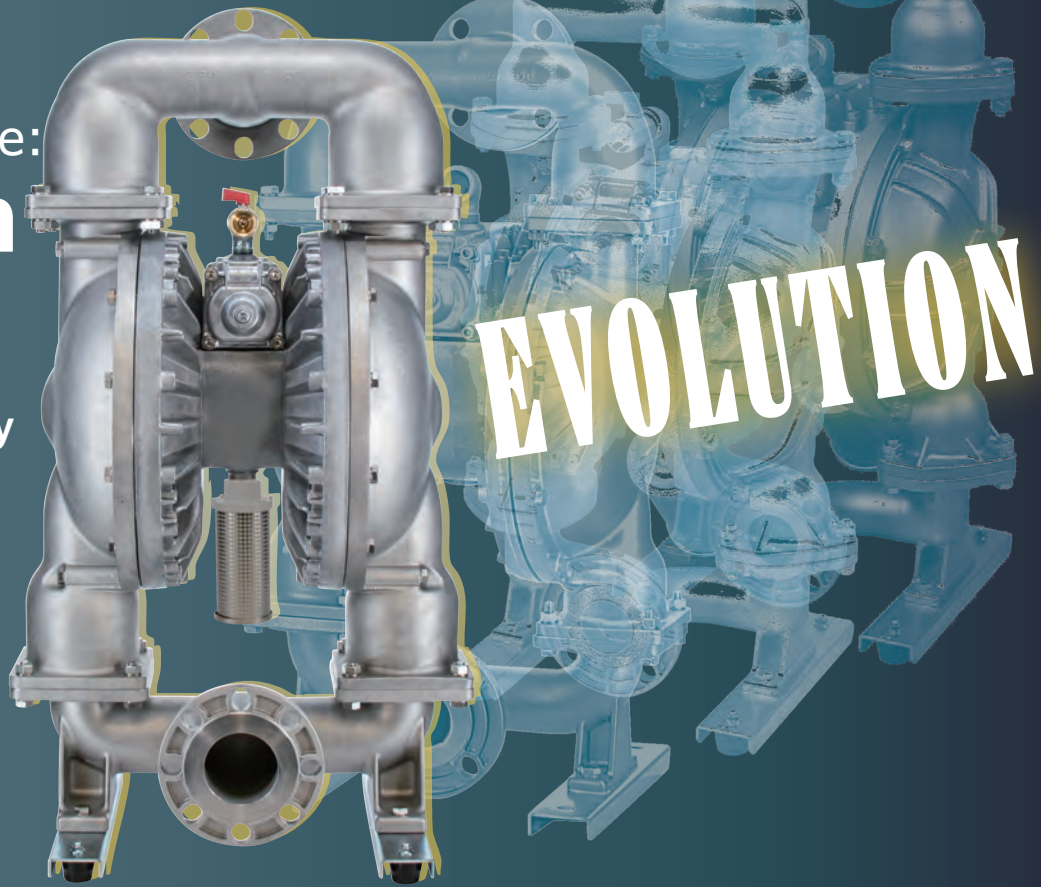
NDP-800

STAINLESS
STEEL SERIES

Maximum Flow Rate:
990L/ min

Other Advantages

- Diaphragm Longevity
- Reset Button
- C-Spool Technology
- Powerful Base
- All Bolted Design



World-Class Flow - Unmatched Efficiency!

The NDP-800BS Series sets a new global benchmark in performance. By re-engineering the internal structure, we have achieved the maximum flow rate of 990 L/min, which is 18% higher than the previous NDP-80 series, while maintaining the superior diaphragm longevity and other conventional benefits our customers expect.

Spare Parts Compatibility

The NDP-800 evolution is driven by a redesigned fluid path (manifolds and out-chambers), delivering superior flow dynamics without changing the internal wear components. All consumable parts remain fully interchangeable with the legacy NDP-80, ensuring a low cost of ownership and zero inventory disruption.

Applications

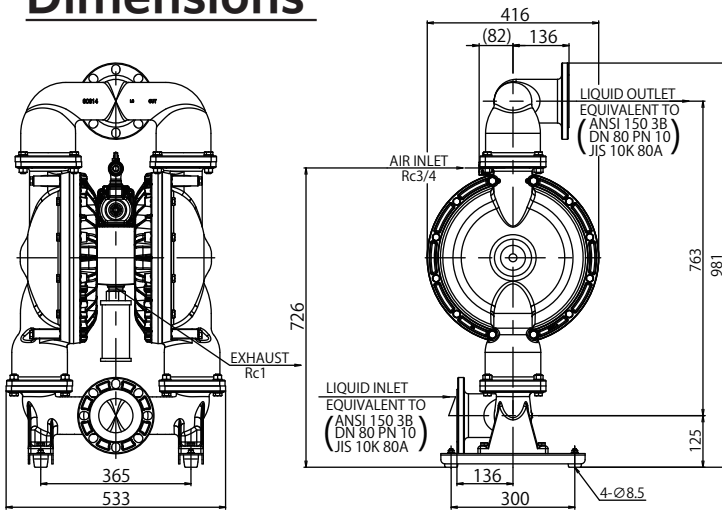


Specifications

Model		NDP-800BS□*	NDP-800BST	NDP-800BSW			
Port Size		3" (80A)					
Liquid	Inlet	Equivalent to JIS/DIN/ANSI 80A Flange					
	Discharge						
Air	Supply				Rc [NPT] 3/4		
	Exhaust				Rc [NPT] 1		
Supply Air Pressure		0.2 - 0.7 MPa					
Maximum Discharge Pressure		0.7 MPa					
Discharge Volume per Cycle		8400 mL	3500 mL	4600 mL			
Maximum Flow Rate		940 L/min	690 L/min	990 L/min			
Maximum Air Consumption		6900 L/min (ANR)	7000 L/min (ANR)	6700 L/min (ANR)			
Maximum Particle Size		10 mm max					
Net Weight		112 kg	107 kg	108 kg			

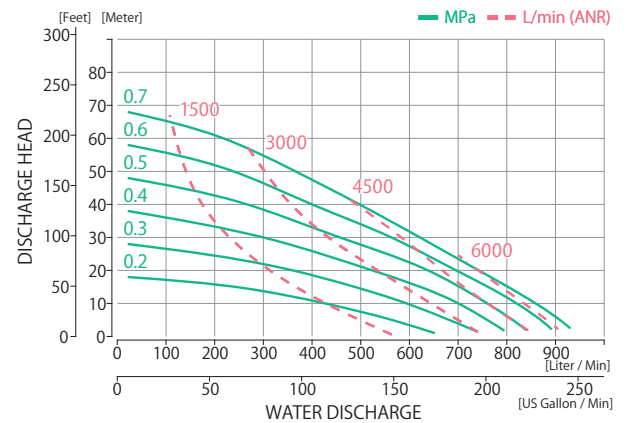
*□= Diaphragm Material: CR/ NBR/ EPDM/ FKM/ TPEE/ TPO

Dimensions

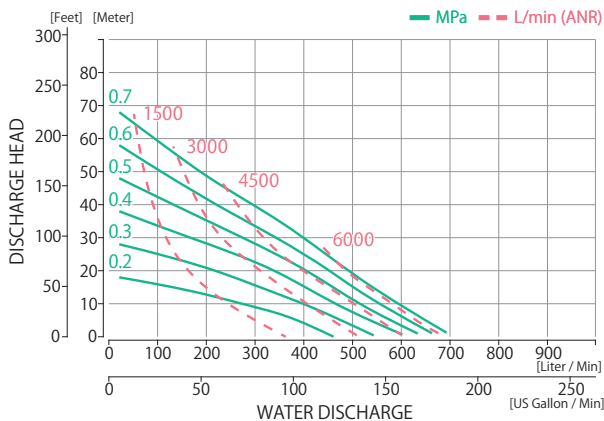


Performance Curve

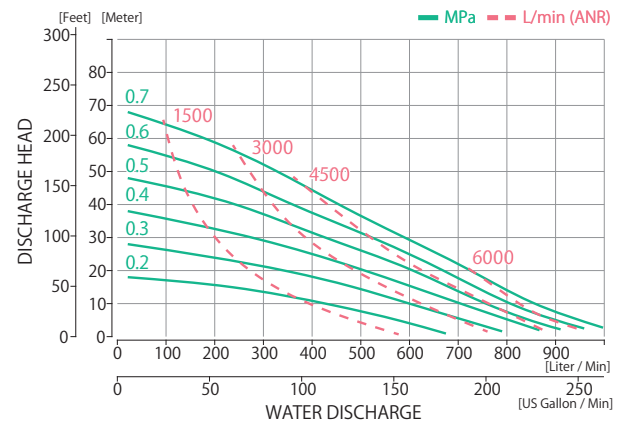
● NDP-800BS□



● NDP-800BST



● NDP-800BSW



YAMADA CORPORATION

No.1-3,1-Chome Minami-Magome, Ohta-ku, Tokyo 143-8504, Japan | Phone : +81-(0)3-3777-0241 | Fax : +81-(0)3-3777-0584

E-mail: intl@yamadacorp.co.jp

Web: ap.yamadacorp.co.jp